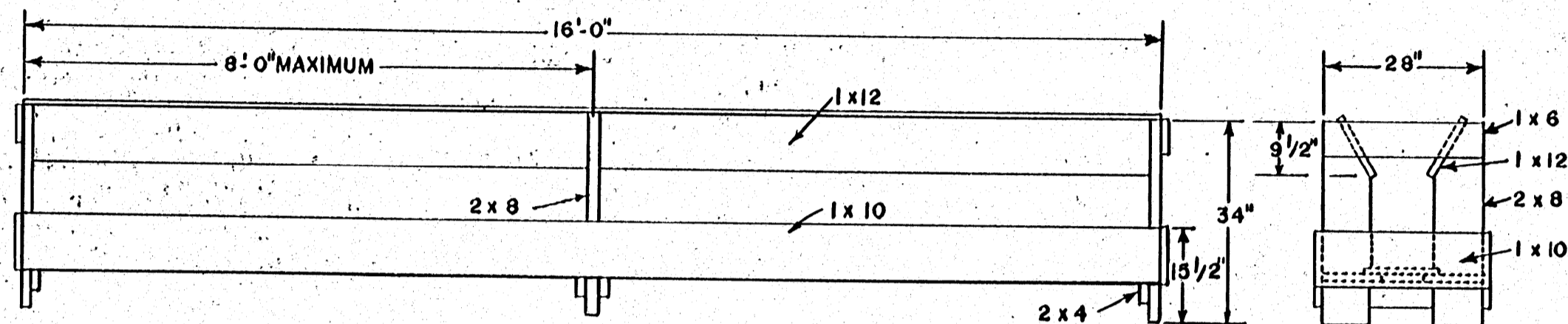


PLAN OF FEEDER

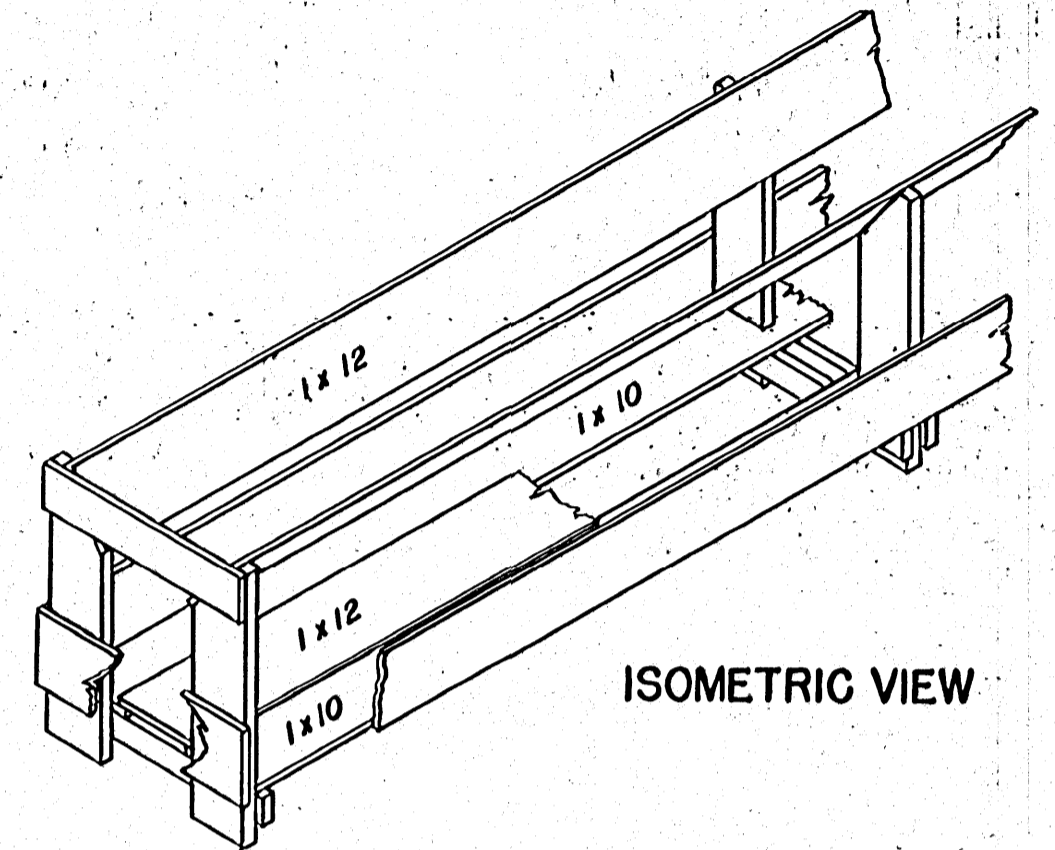


FRONT ELEVATION

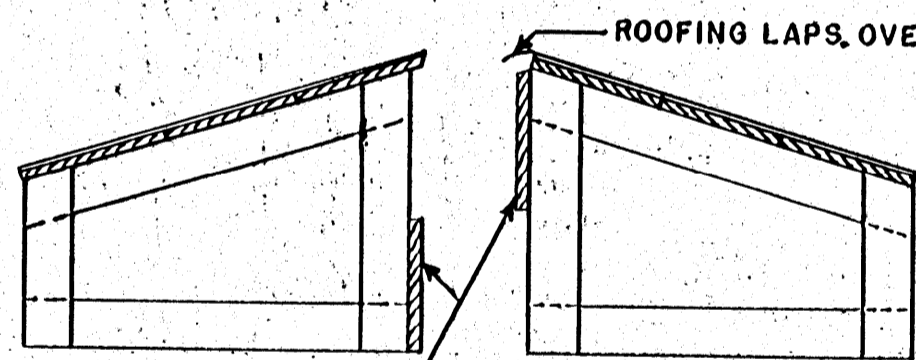
END ELEVATION

DETAILS OF FEEDER

SCALE:  $\frac{3}{8}$ "=1'-0"



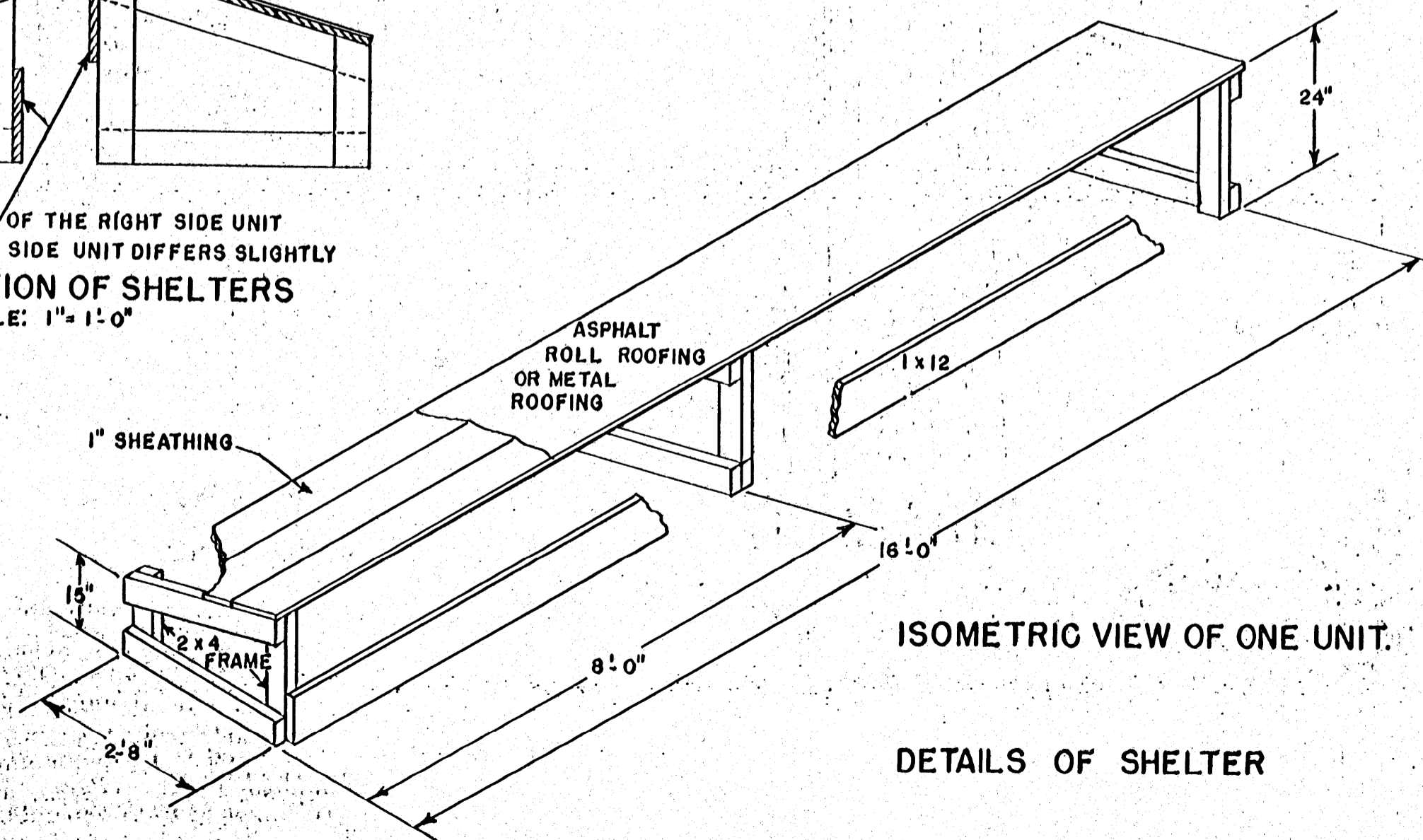
ISOMETRIC VIEW



NOTE: CONSTRUCTION OF THE RIGHT SIDE UNIT AND THE LEFT SIDE UNIT DIFFERS SLIGHTLY

CROSS SECTION OF SHELTERS

SCALE: 1"=1'-0"



ISOMETRIC VIEW OF ONE UNIT.

DETAILS OF SHELTER

NOTE:

THIS FEEDER CAN BE MADE IN 12 AND 14 FOOT LENGTHS. THE SHORTER LENGTHS ARE MUCH STRONGER BECAUSE THE DISTANCE BETWEEN SUPPORTS IS LESS.

THIS FEEDER MAY BE USED AS A DIVIDER BETWEEN PENS BY ADDING A 1x6 BOARD IN THE CENTER TO PREVENT THE SHEEP FROM CRAWLING THROUGH.

DIMENSIONS OF MEMBERS SHOWN ARE BASED ON THE USE OF DRESSED LUMBER.

ALL WOOD IN CONTACT WITH THE GROUND TO BE TREATED WITH A NON-TOXIC PRESERVATIVE.

COOPERATIVE EXTENSION WORK IN  
AGRICULTURE AND HOME ECONOMICS  
STATE OF MISSISSIPPI  
MISSISSIPPI STATE UNIVERSITY  
AND  
UNITED STATES DEPARTMENT OF AGRICULTURE COOPERATING

SHEEP EQUIPMENT

UTAH '60 EX. 5905 SHEET 1 OF 1