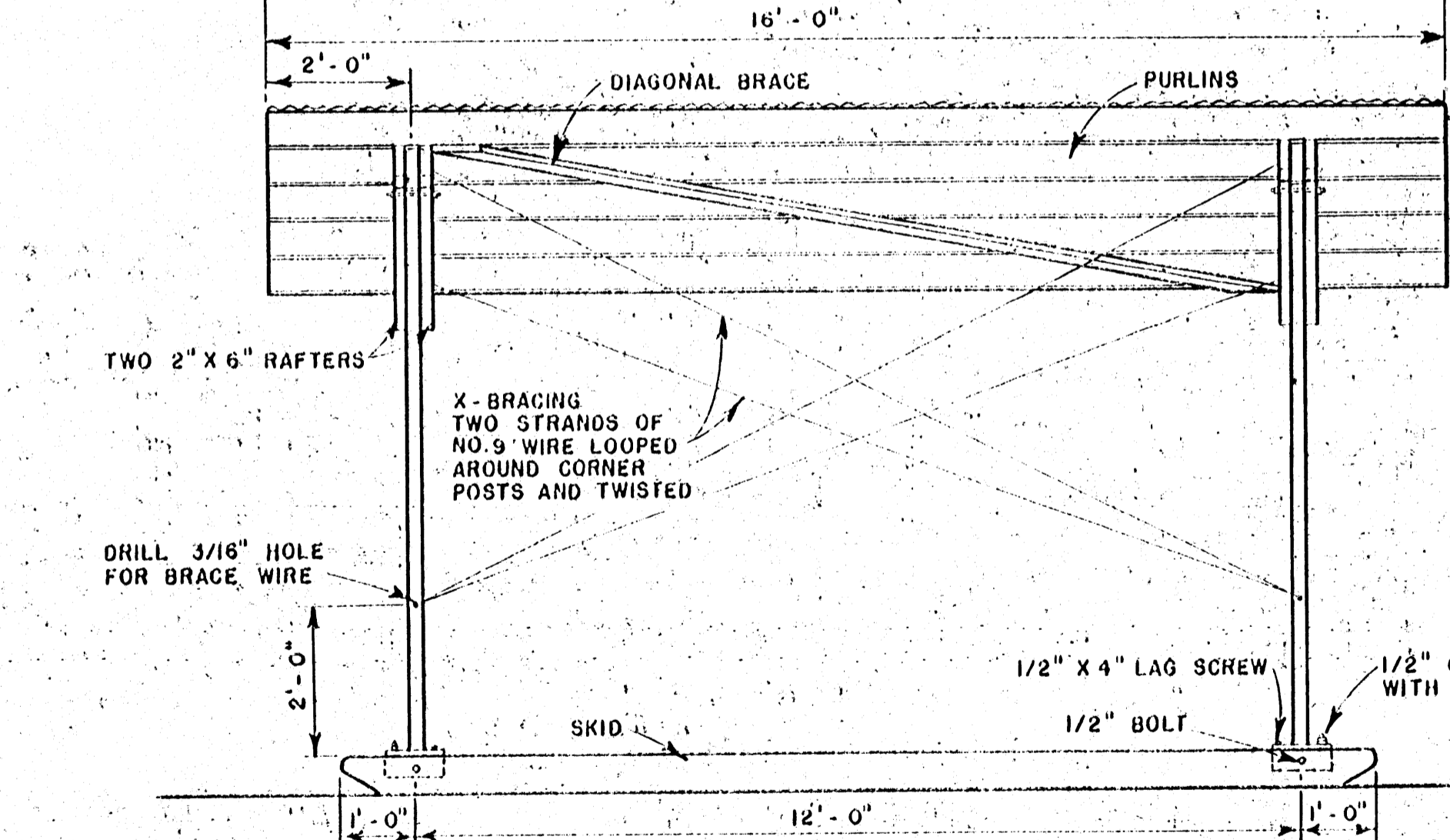
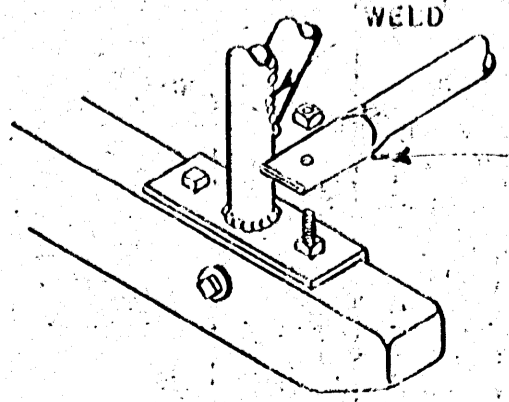


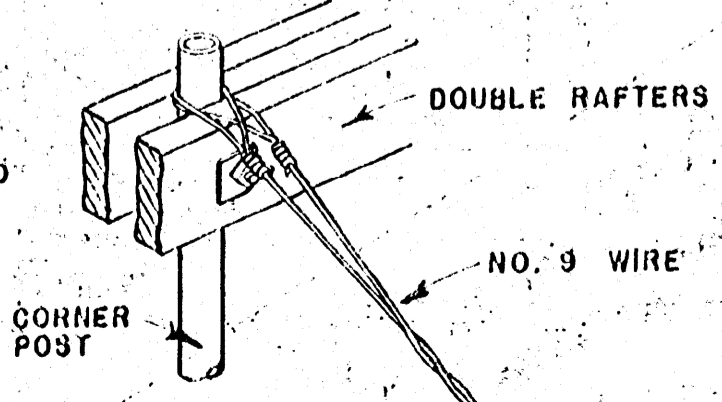
PLAN SHOWING ROOF FRAMING



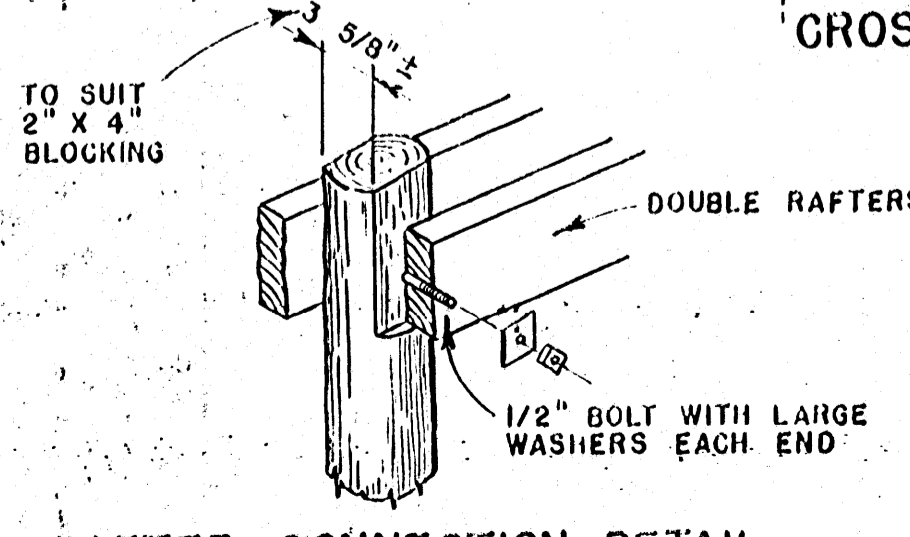
SIDE ELEVATION SCALE: 1/2" = 1'-0"



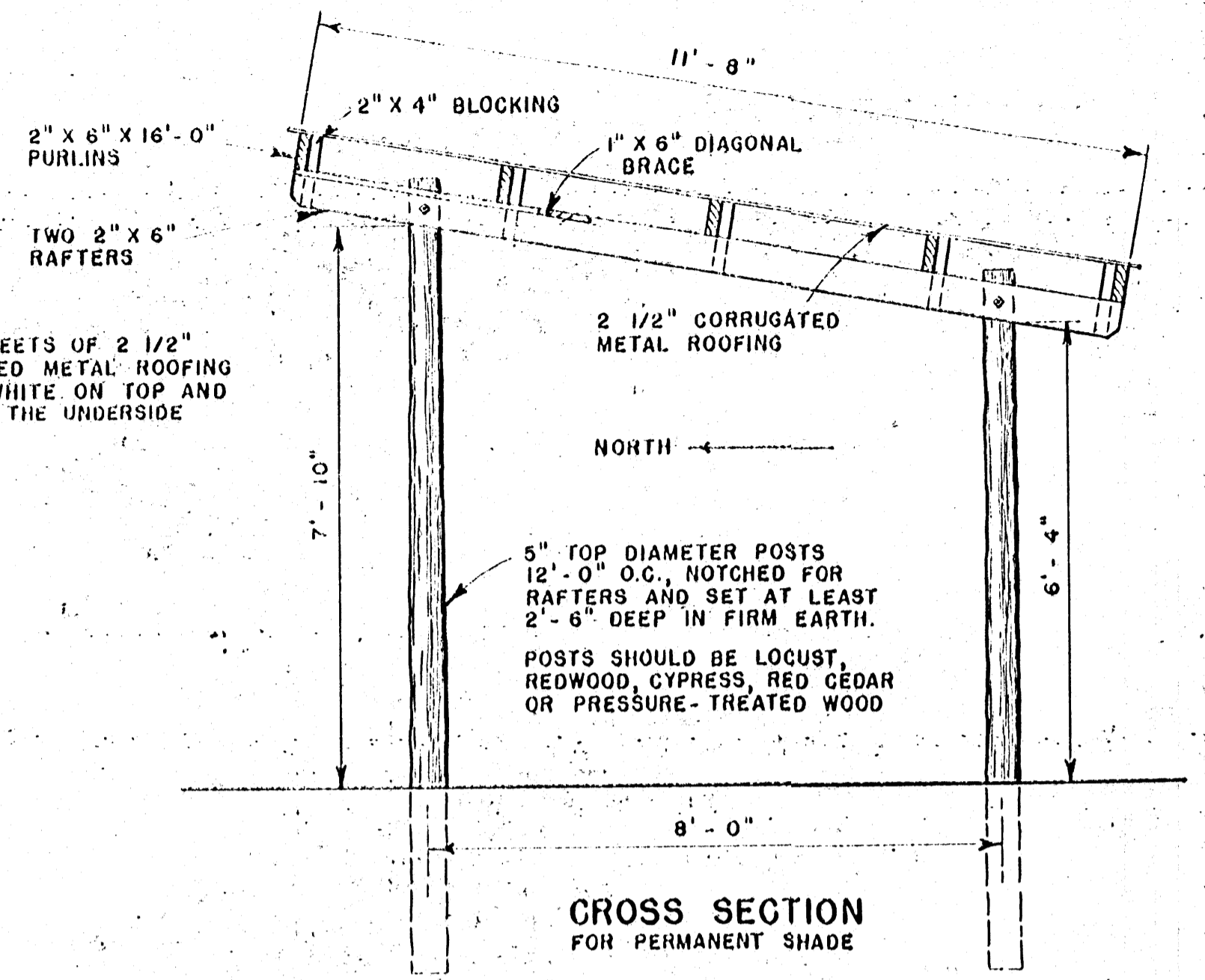
SKID CONNECTION DETAIL (STRUTS ARE REMOVED AFTER MOVING)



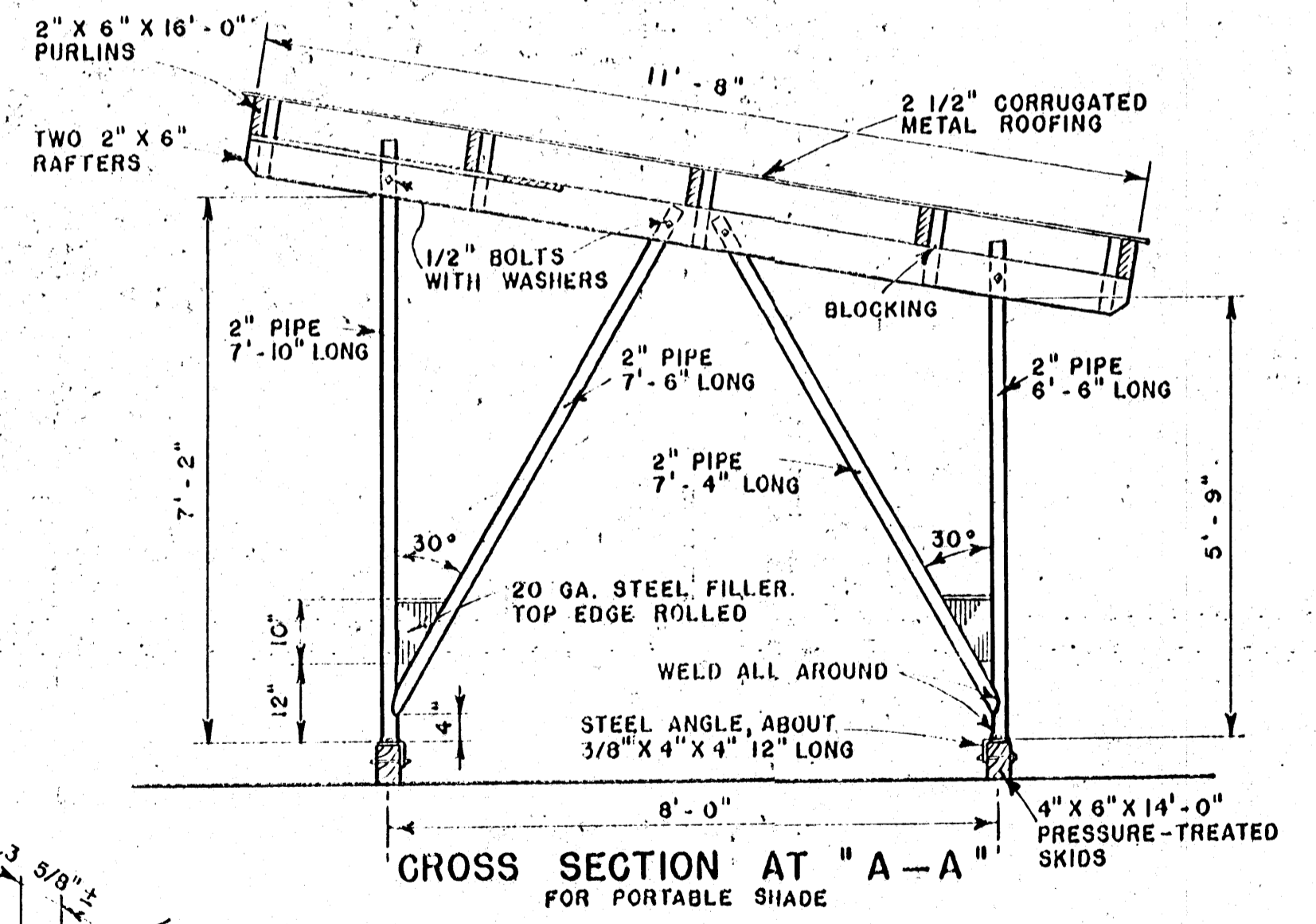
X-BRACING DETAIL



RAFTER CONNECTION DETAIL FOR PERMANENT SHADE



CROSS SECTION FOR PERMANENT SHADE



CROSS SECTION AT "A-A" FOR PORTABLE SHADE

COOPERATIVE EXTENSION WORK IN AGRICULTURE AND HOME ECONOMICS
 STATE OF MISSISSIPPI
 MISSISSIPPI STATE UNIVERSITY
 AND UNITED STATES DEPARTMENT OF AGRICULTURE COOPERATING

12' X 16' SHADE FOR HOGS
 PORTABLE OR PERMANENT

USDA '56 EX. 5816 SHEET 1 OF 1