

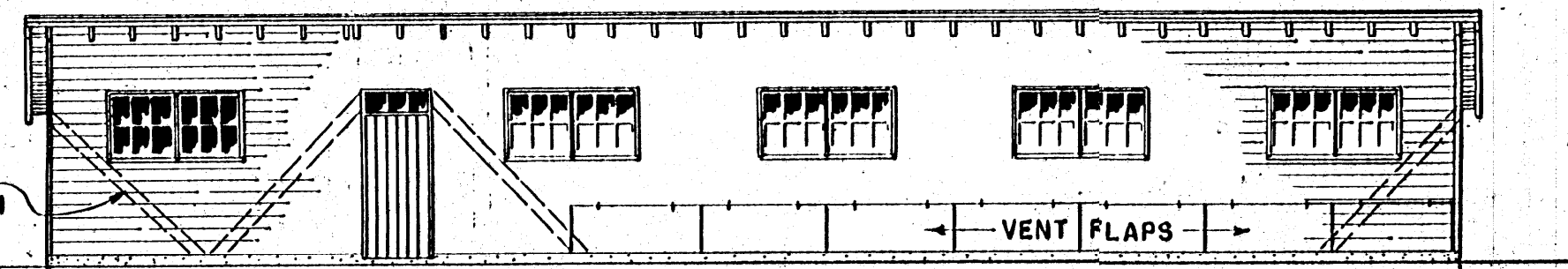
PLAN

SCALE: 1/4" = 1'-0"

WIRING LEGEND

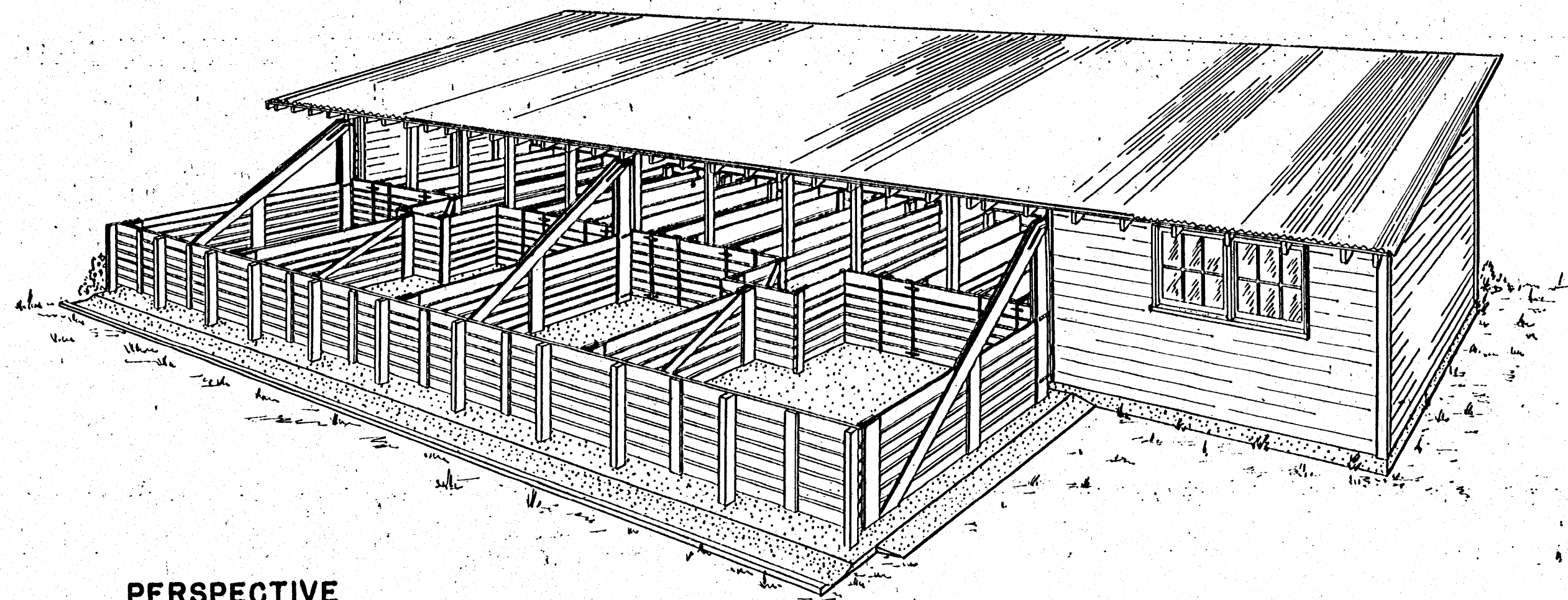
- LIGHT OUTLET
- ⊙ BROODER LAMP OUTLET
- ⊙ DUPLEX OUTLET
- ⊙ OUTDOOR FLOOD LIGHTS
- S SWITCH
- S₃ 3 WAY SWITCH

SIDING IS NAILED TO 1" X 6" DIAG. BRACES WITH 2-4d NAILS IN EACH BOARD. BRACES ARE NOTCHED INTO STUDS AND SILL



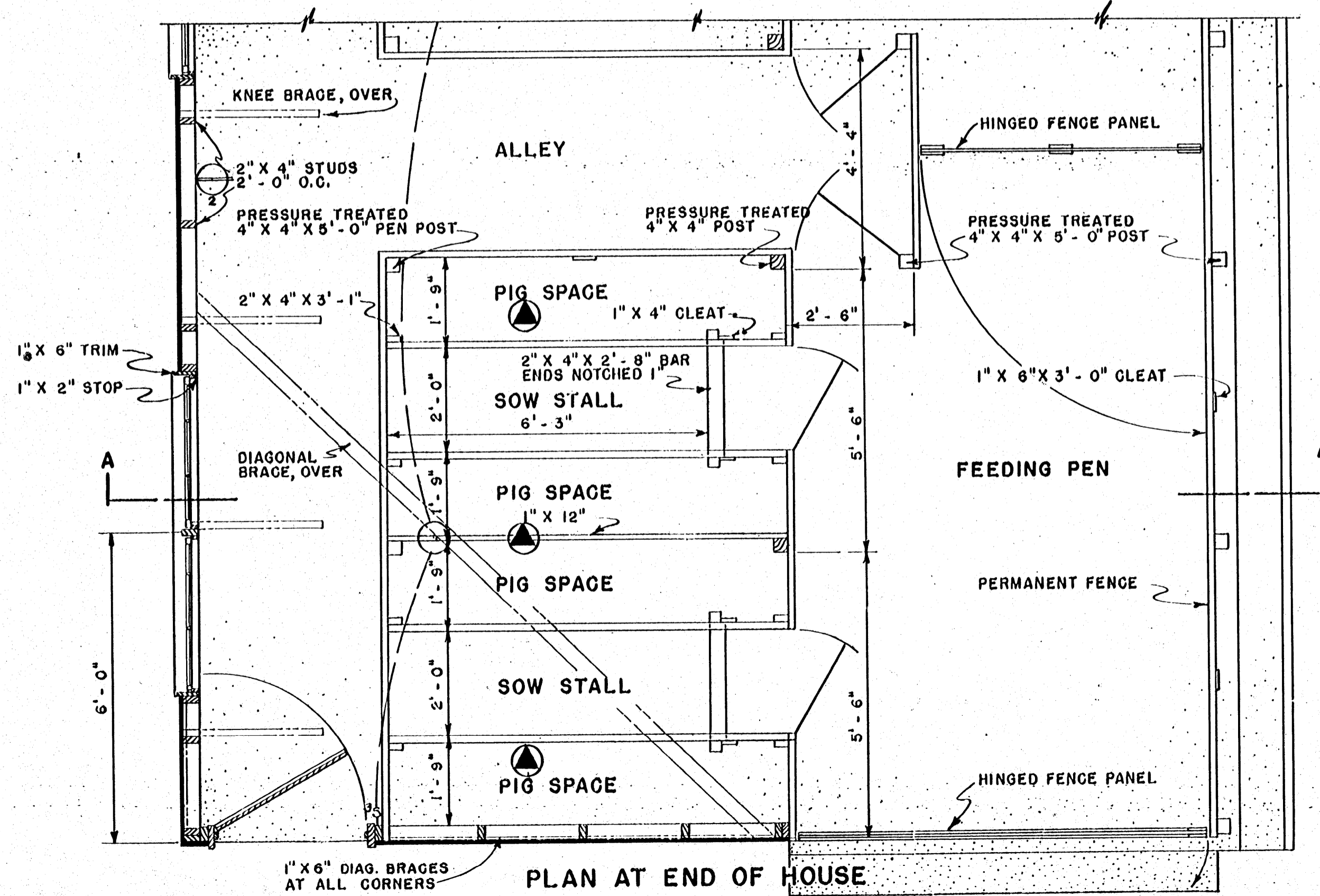
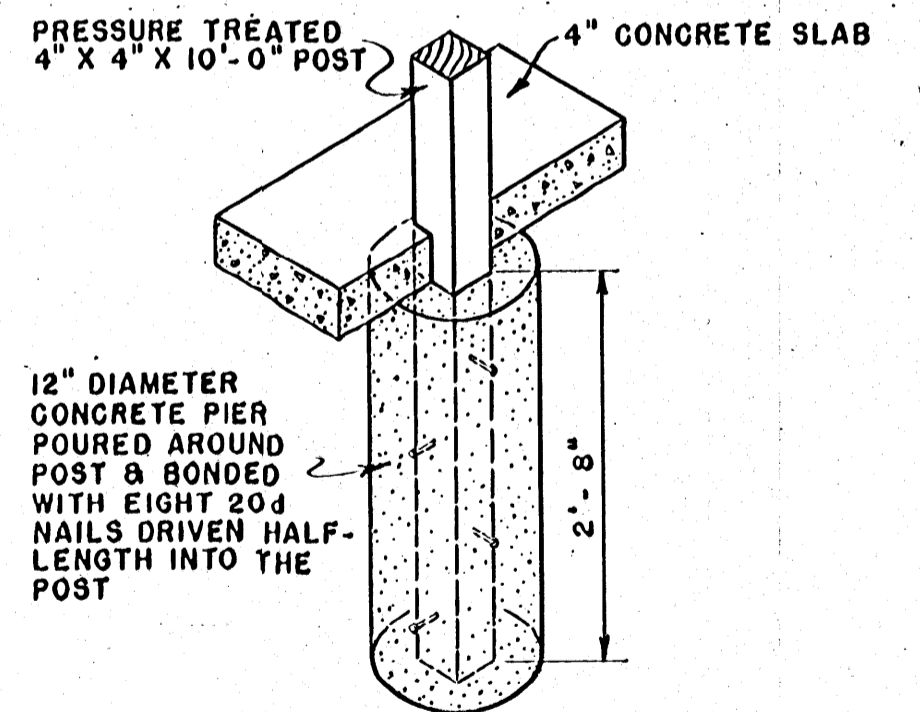
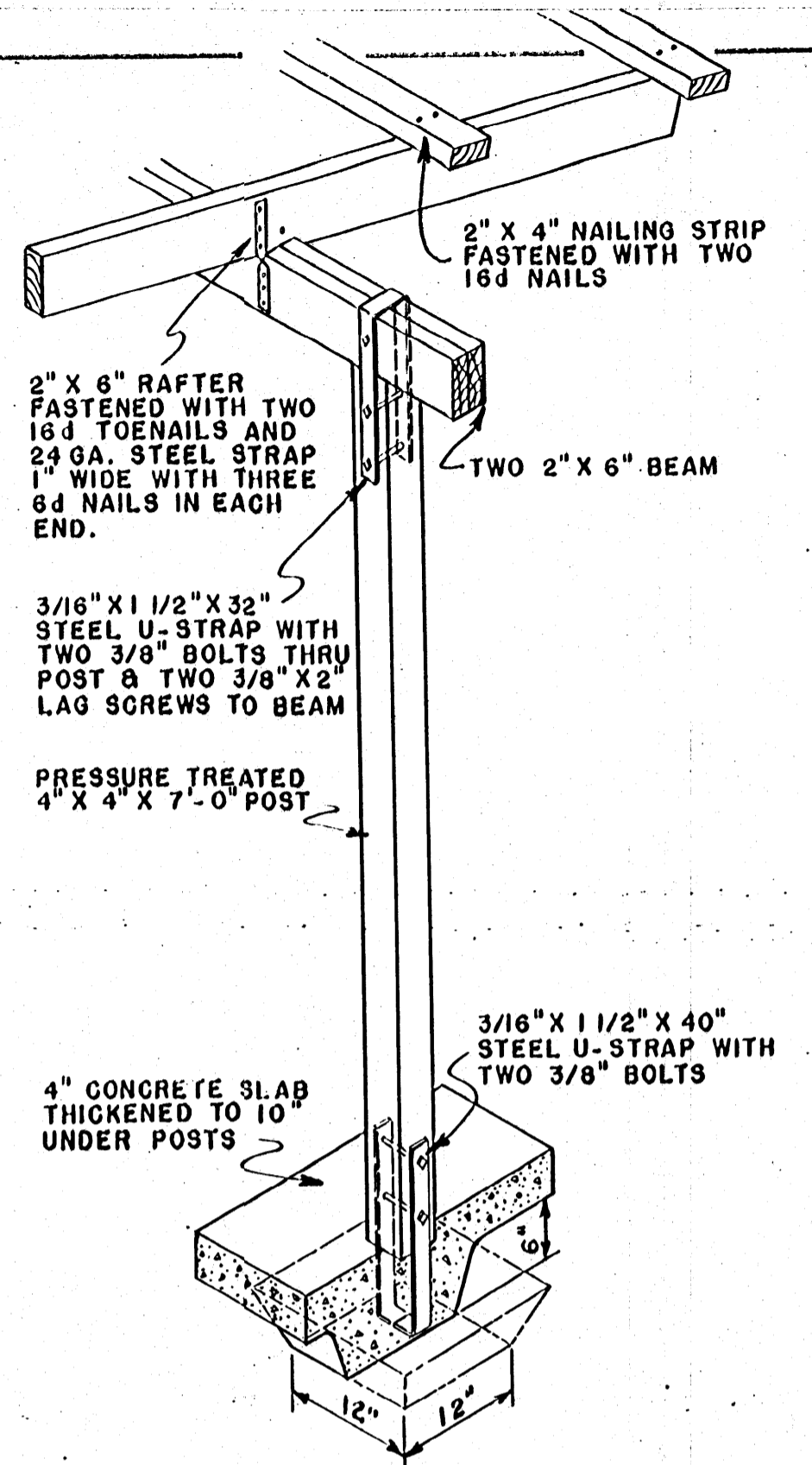
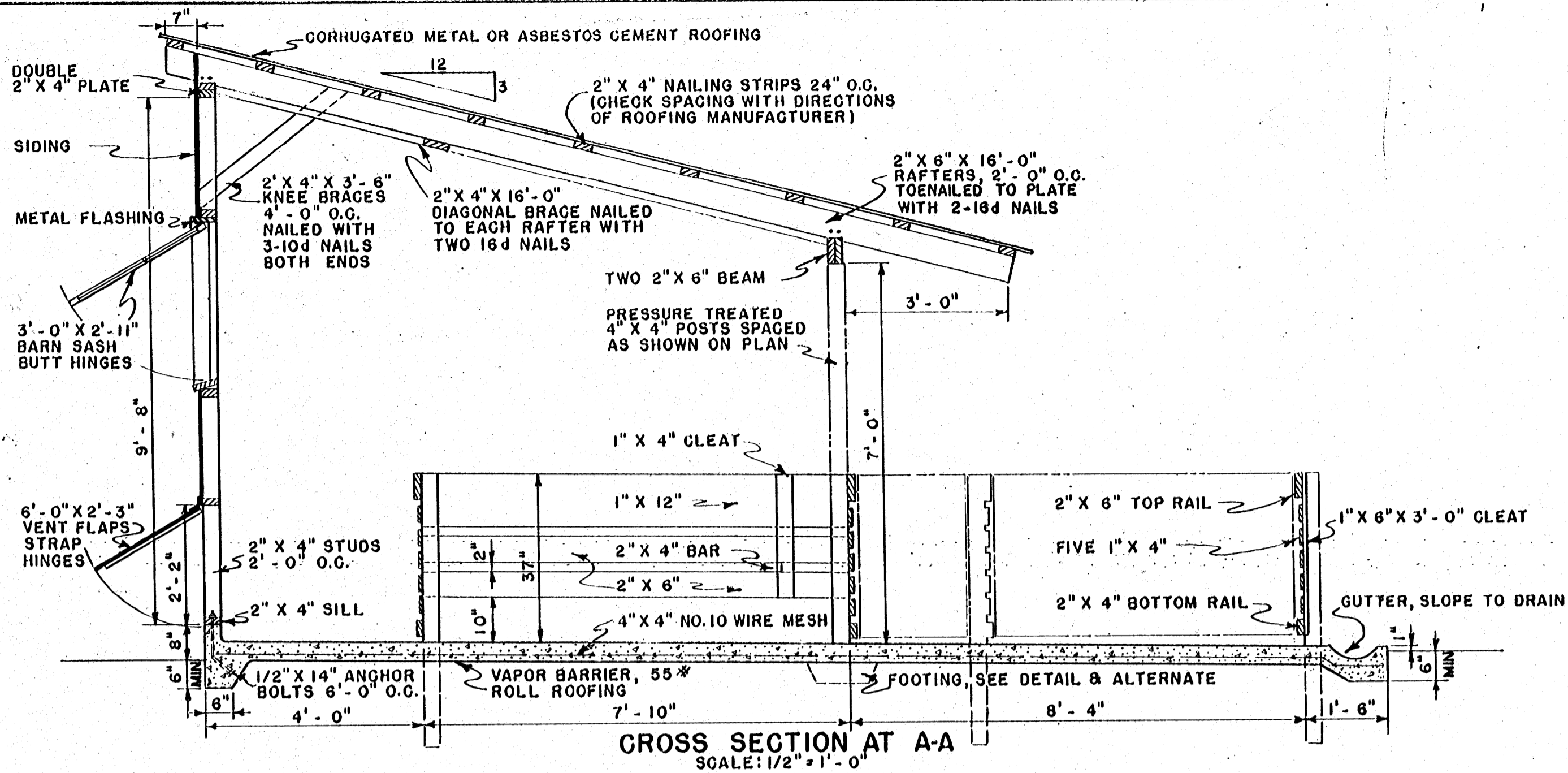
NORTH ELEVATION

SCALE: 1/8" = 1'-0"



PERSPECTIVE

COOPERATIVE EXTENSION WORK IN AGRICULTURE AND HOME ECONOMICS STATE OF MISSISSIPPI MISSISSIPPI STATE UNIVERSITY AND UNITED STATES DEPARTMENT OF AGRICULTURE COOPERATING		
CENTRAL FARROWING HOUSE STALL TYPE ·· OPEN FRONT		
L.A.	'56	EX. 5795 SHEET 1 OF 2



NOTE:
ALL WOOD IN CONTACT WITH
CONCRETE OR EARTH TO BE
PRESSURE TREATED WITH
PRESERVATIVE

COOPERATIVE EXTENSION WORK IN
AGRICULTURE AND HOME ECONOMICS
STATE OF MISSISSIPPI
MISSISSIPPI STATE UNIVERSITY
AND
UNITED STATES DEPARTMENT OF AGRICULTURE COOPERATING

CENTRAL FARROWING HOUSE
STALL TYPE · OPEN FRONT

LA '56 EX. 5795 SHEET 2 OF 2