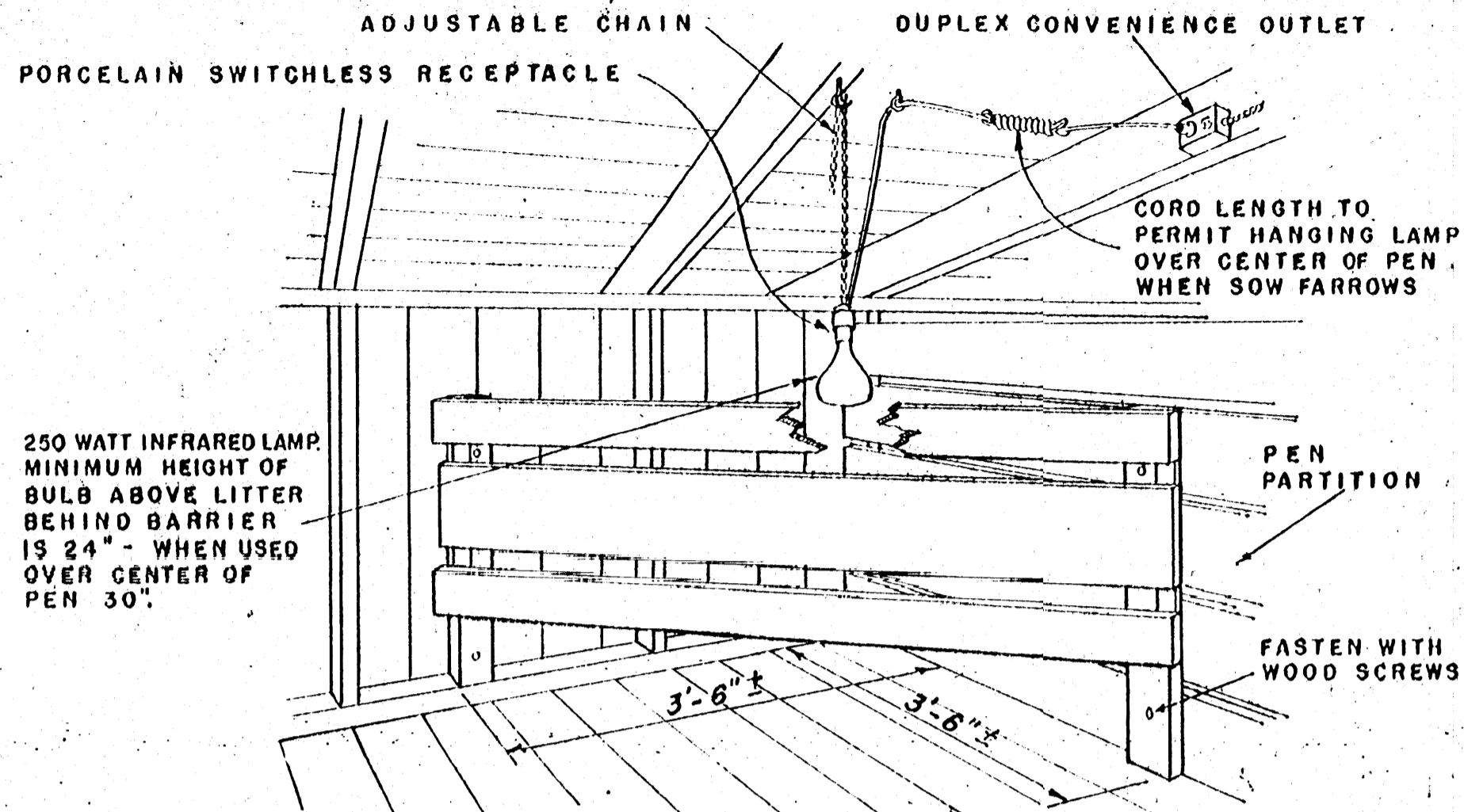
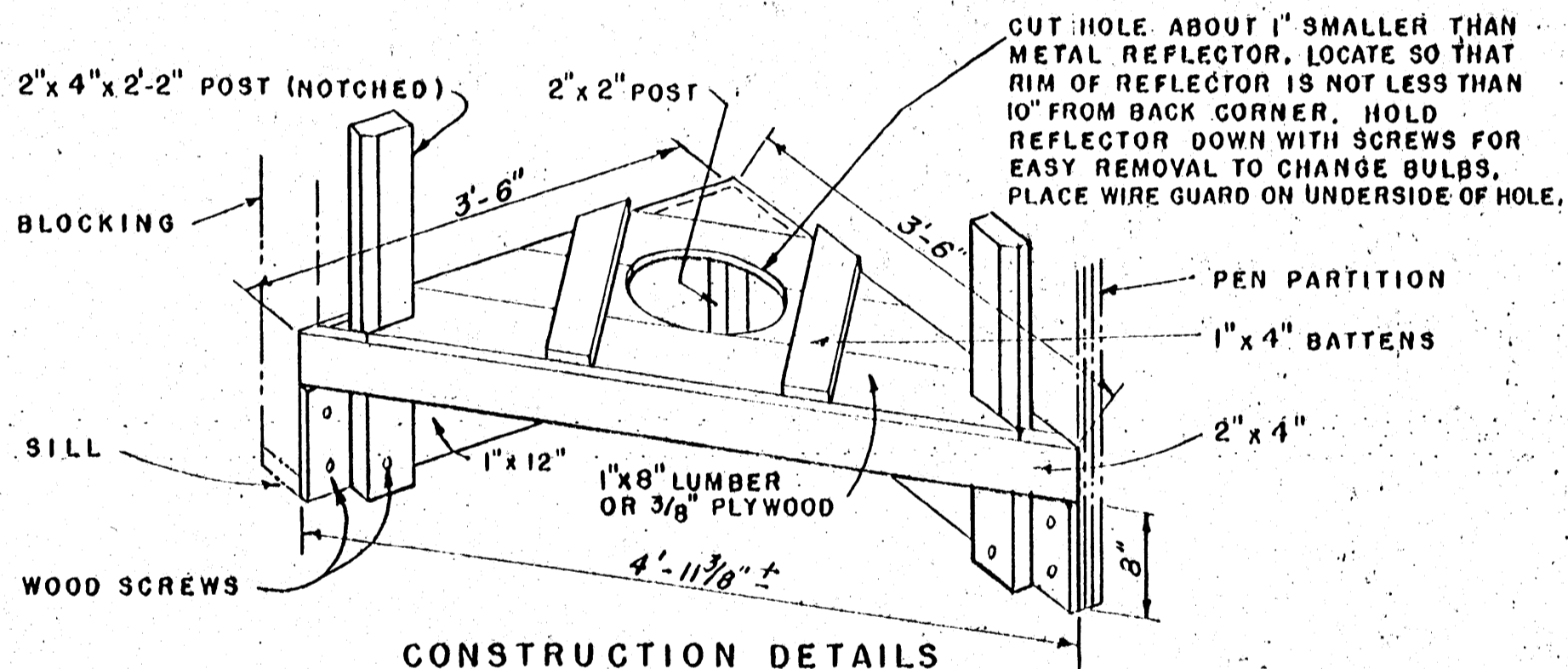


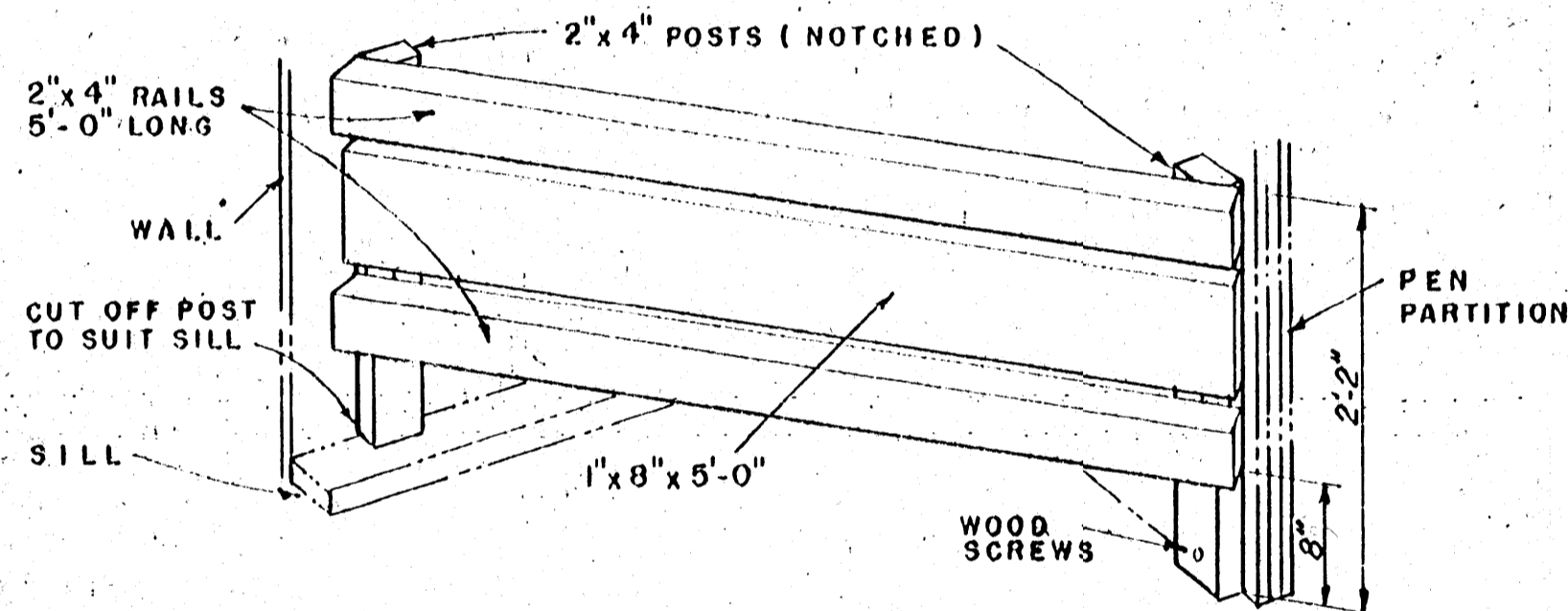
TYPICAL INSTALLATION



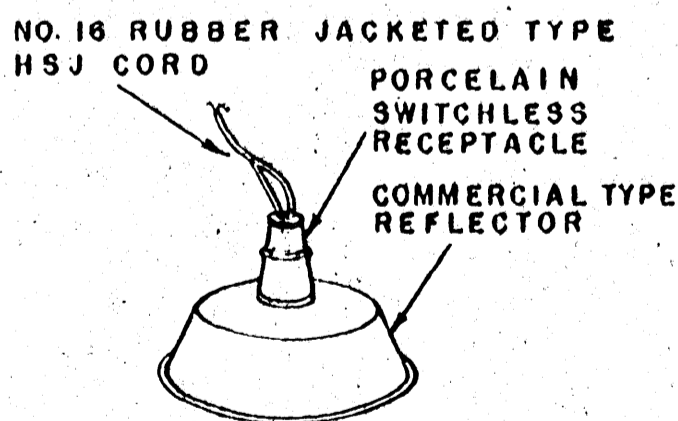
TYPICAL INSTALLATION



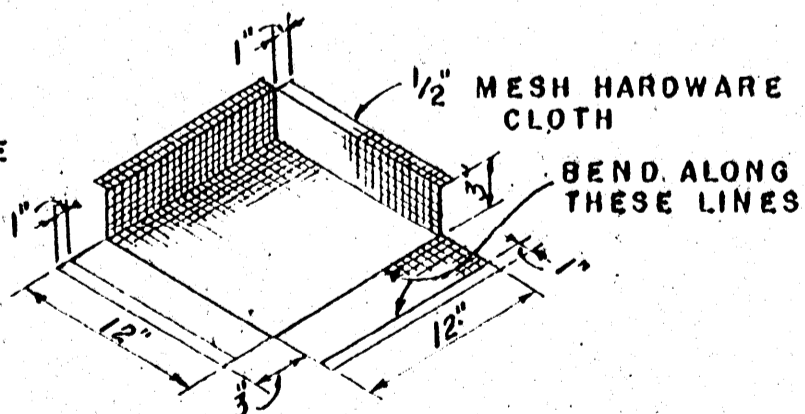
CONSTRUCTION DETAILS



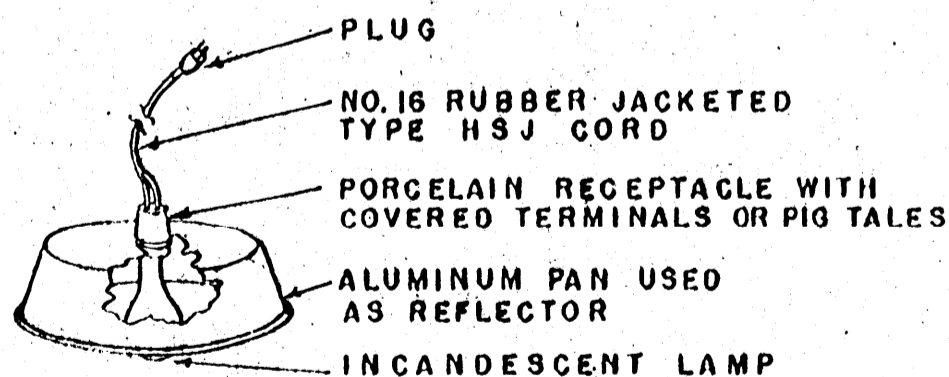
CONSTRUCTION DETAILS



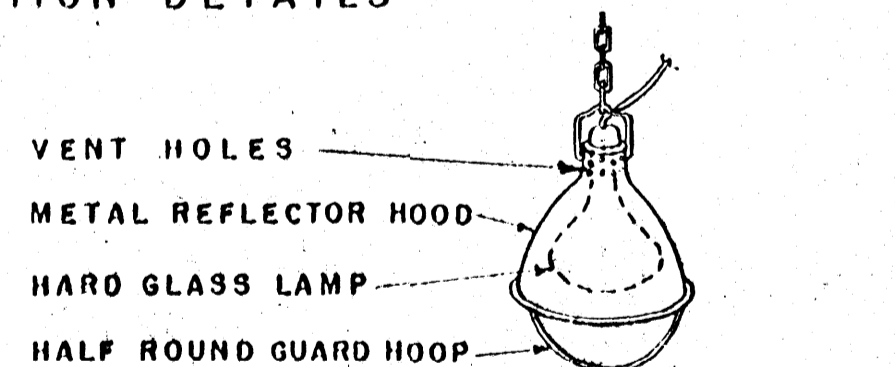
REFLECTOR (INCANDESCENT LAMP)



WIRE LAMP GUARD



LAMP ASSEMBLY (ALTERNATE)



REFLECTOR (ALTERNATE) (INFRARED LAMP)

PEN TYPE BROODER

RECOMMENDED INCANDESCENT LIGHT BULB SIZES

MILD WEATHER - 60 WATTS
 SEVERE WEATHER - 100 WATTS
 VERY SEVERE WEATHER - 150 WATTS

DO NOT USE A LAMP (BULB) OF MORE THAN 150 WATTS

HOVER TYPE BROODER

GENERAL HOG HOUSE WIRING RECOMMENDATIONS

1. NUMBER 12 A.W.G. TYPE UF, NON-METALIC SHEATHED CABLE.
2. DO NOT USE MORE THAN SIX 250 WATT LAMPS OR TEN 150 WATT LAMPS PER 20 AMPERE CIRCUIT.
3. PERMANENT AND MOVABLE BUILDINGS MUST HAVE PROPERLY FUSED SERVICE ENTRANCE BOXES.
4. THESE RECOMMENDATIONS ARE SUBJECT TO LOCAL REGULATIONS.

COOPERATIVE EXTENSION WORK IN AGRICULTURE AND HOME ECONOMICS
 STATE OF MISSISSIPPI
 MISSISSIPPI STATE UNIVERSITY
 AND
 UNITED STATES DEPARTMENT OF AGRICULTURE COOPERATING

ELECTRIC PIG BROODERS

USDA '54 EX. 5788 SHEET 1 OF 1