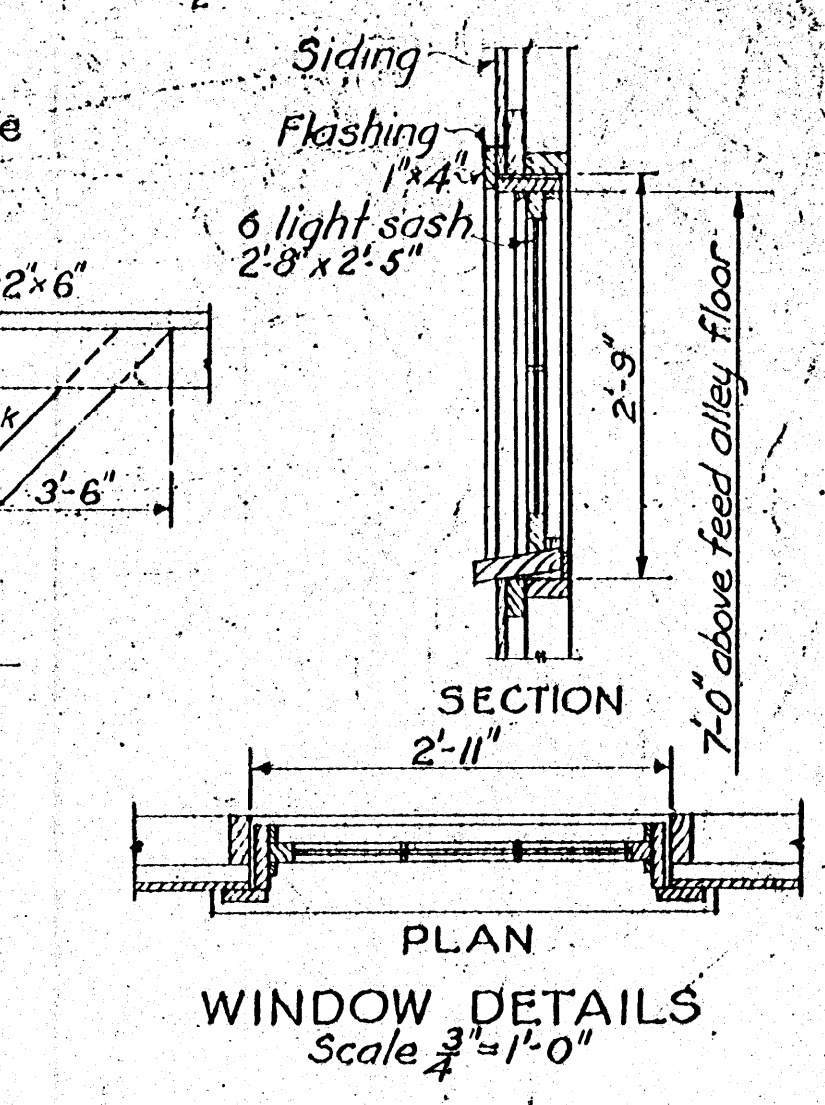
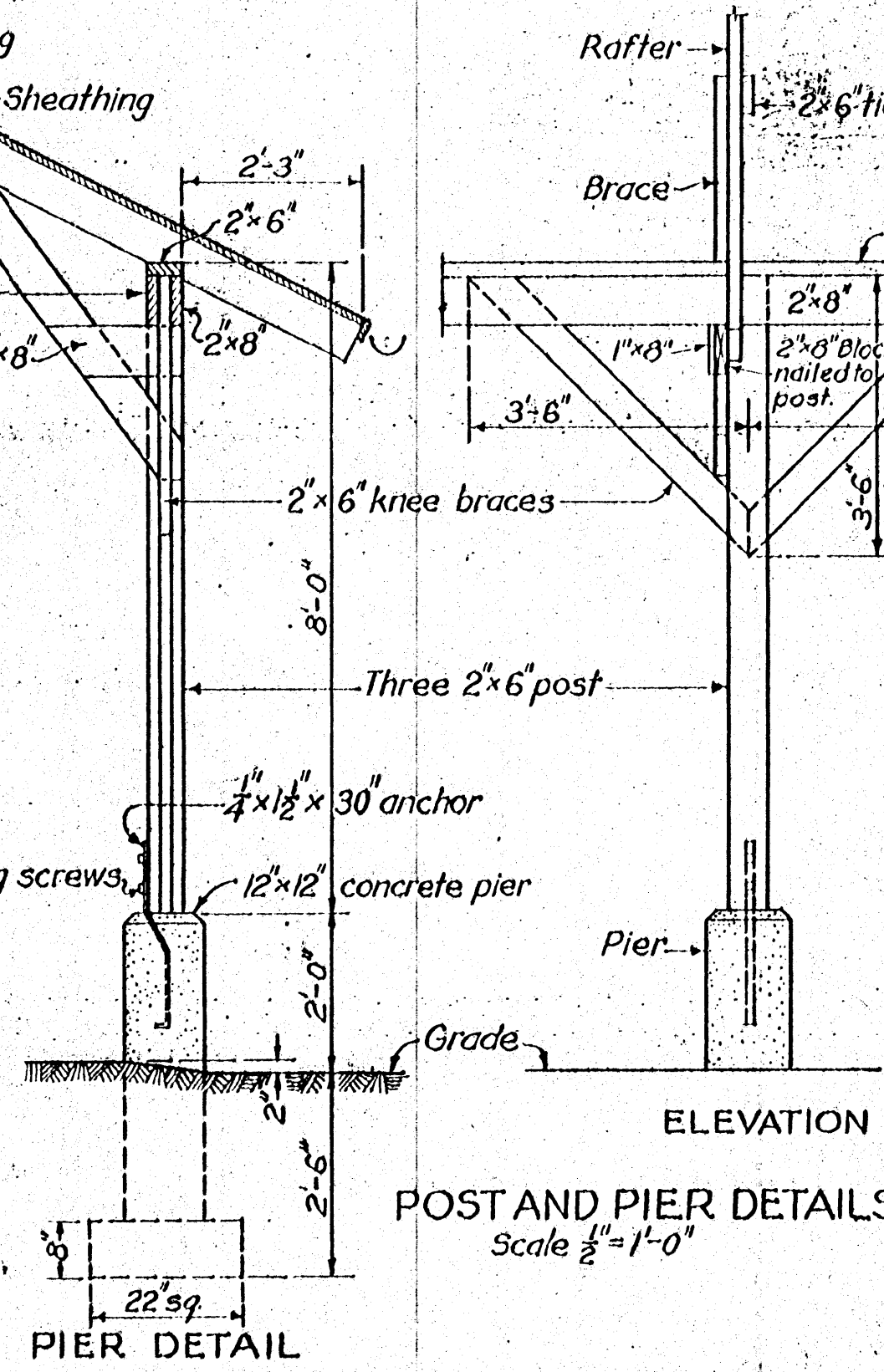
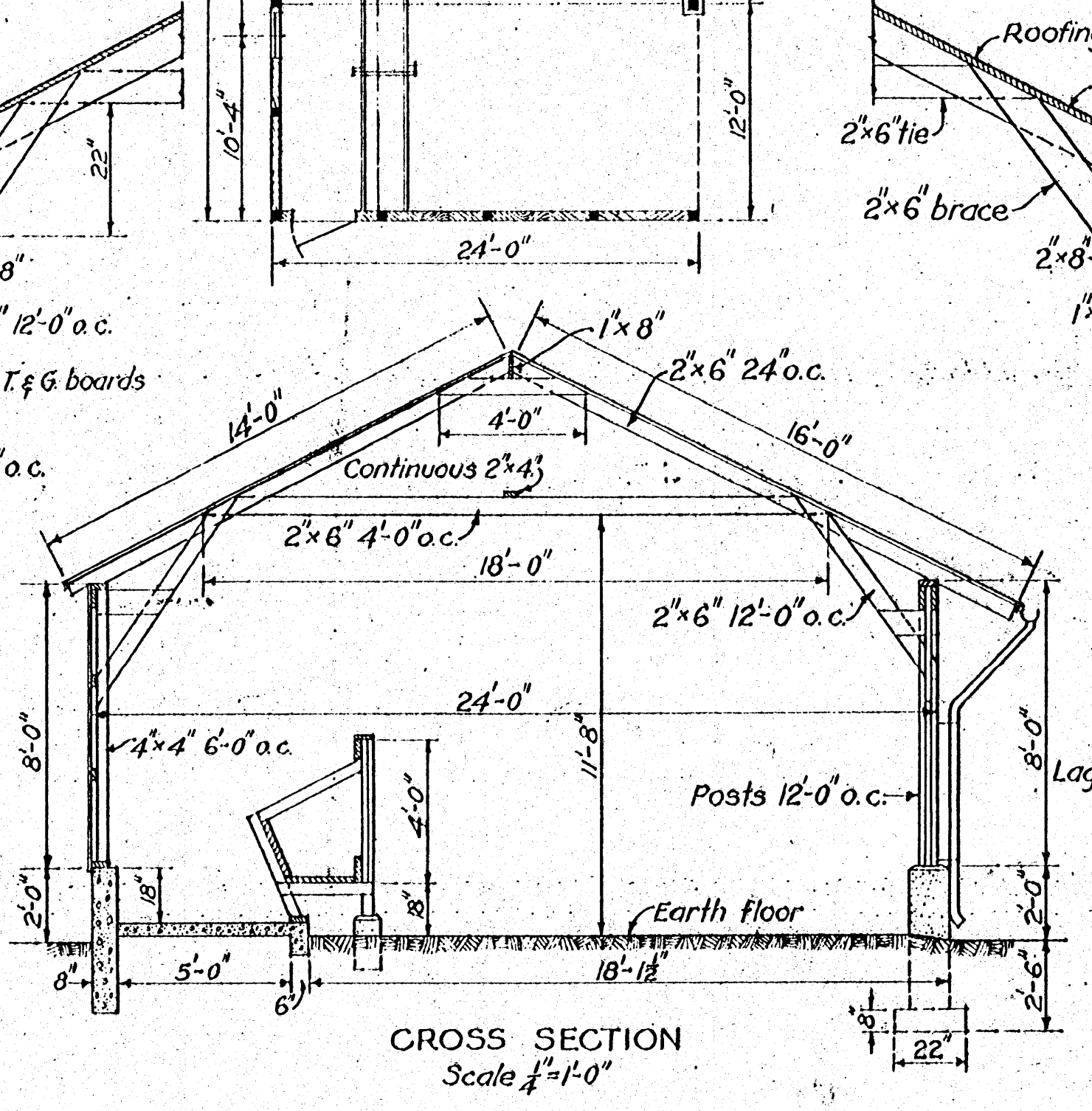
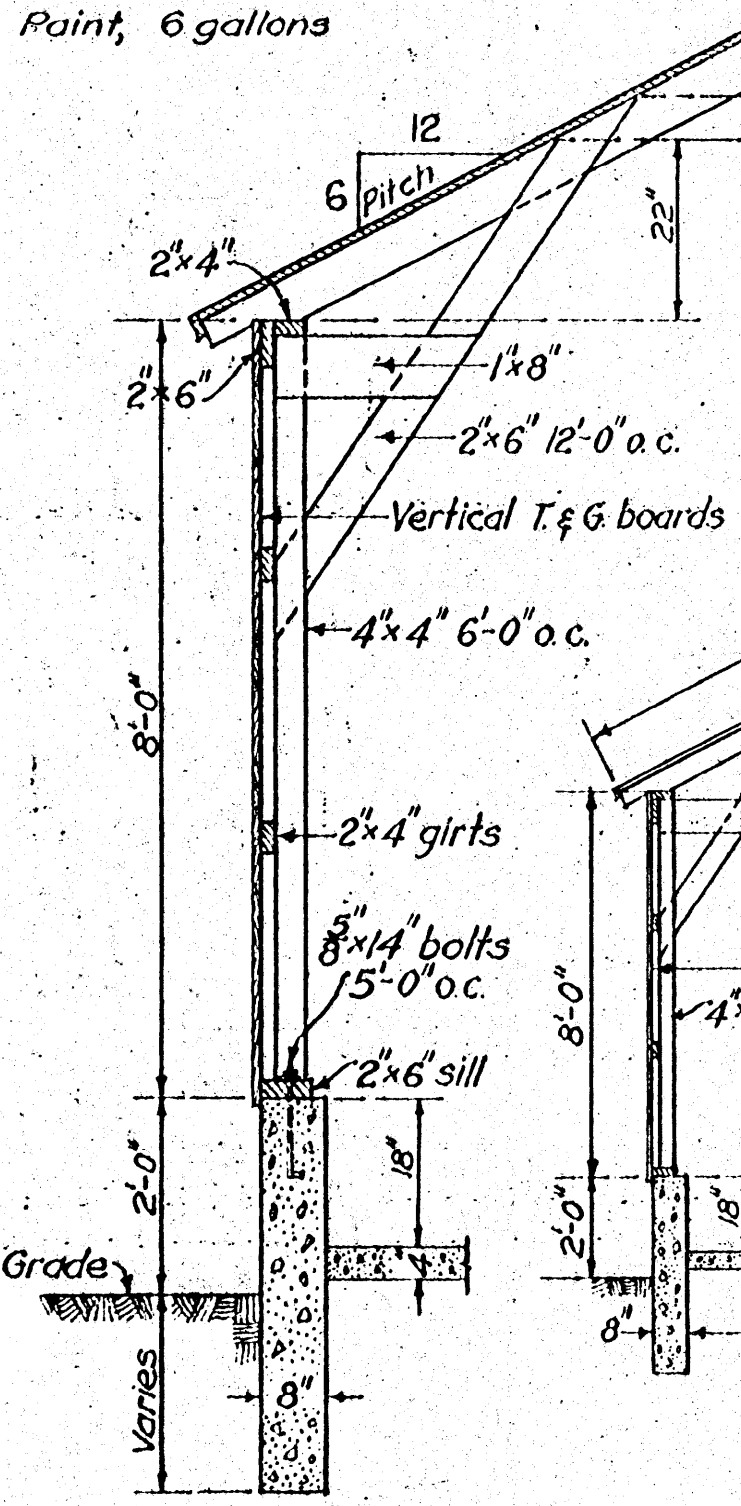
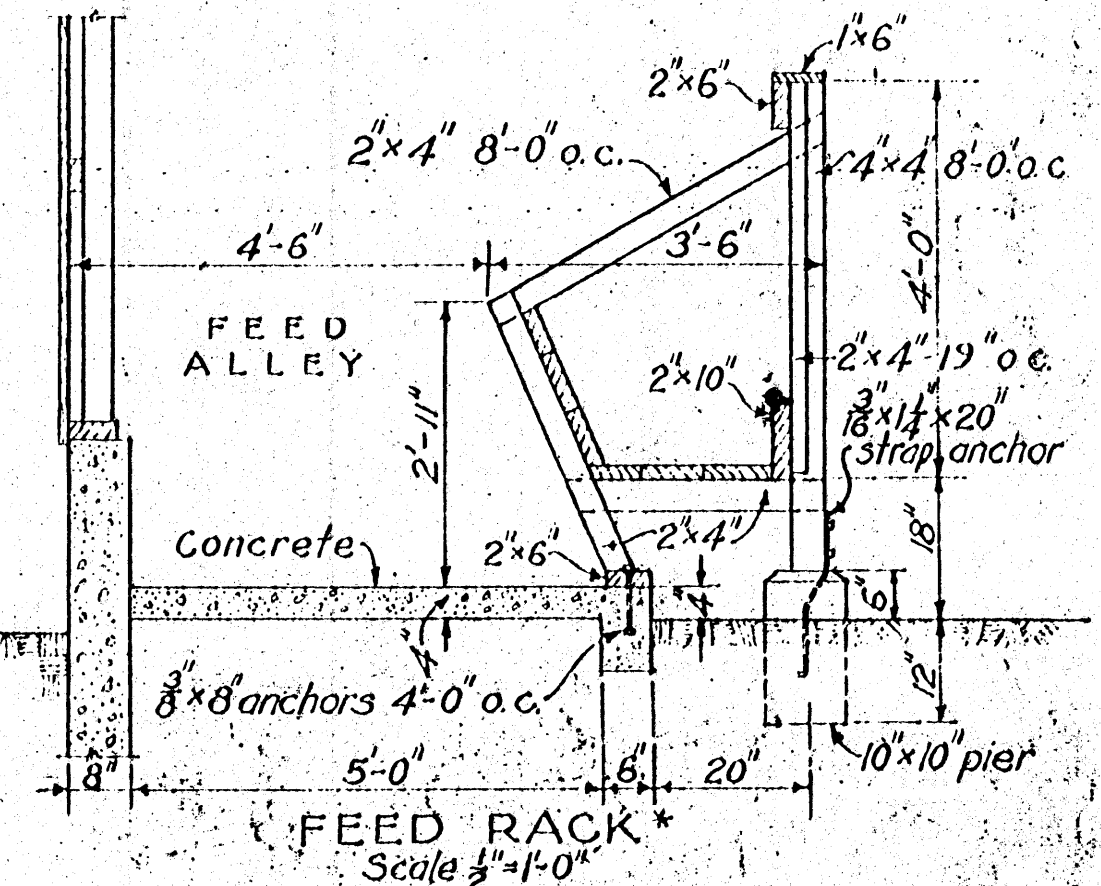
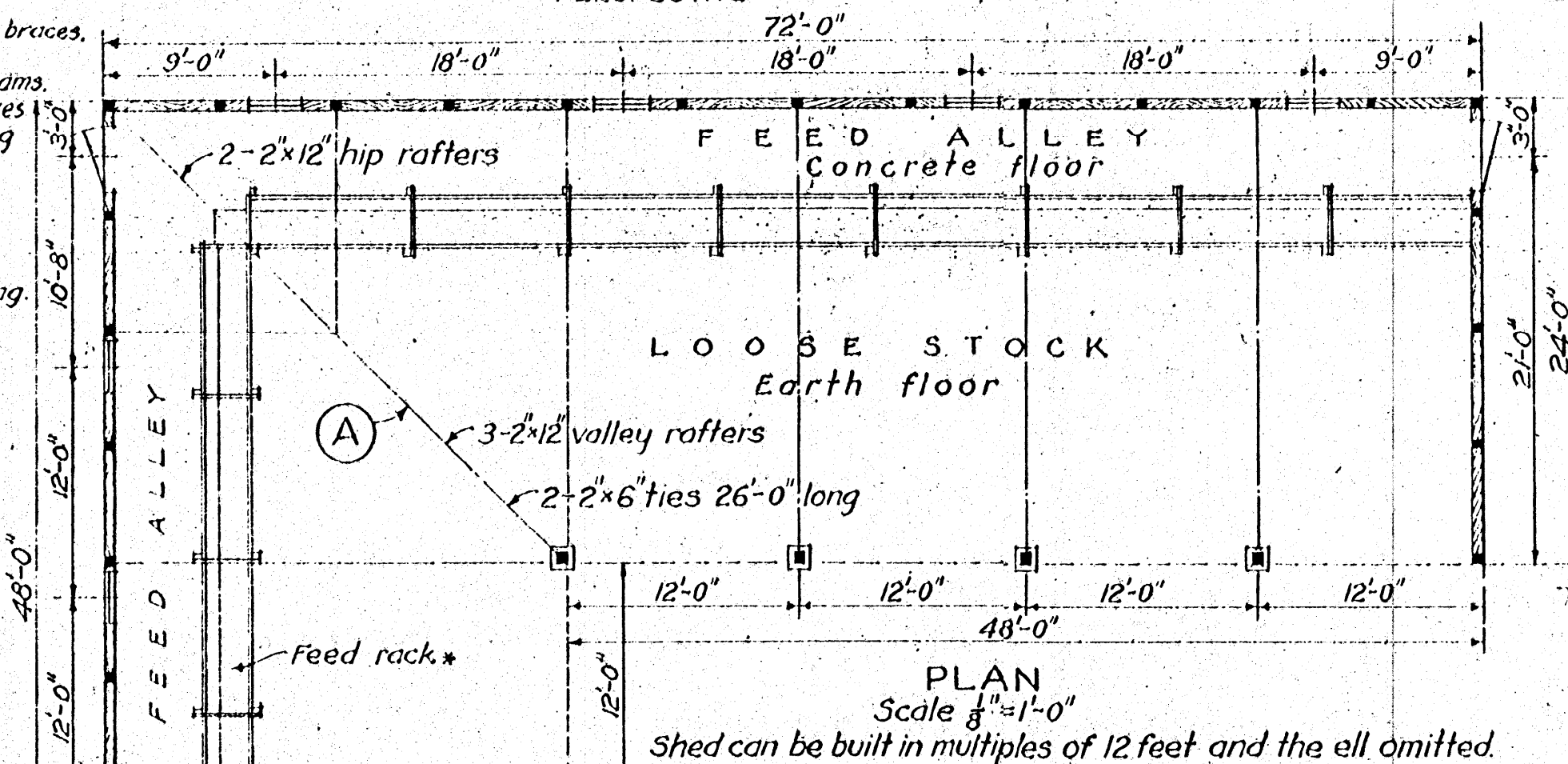
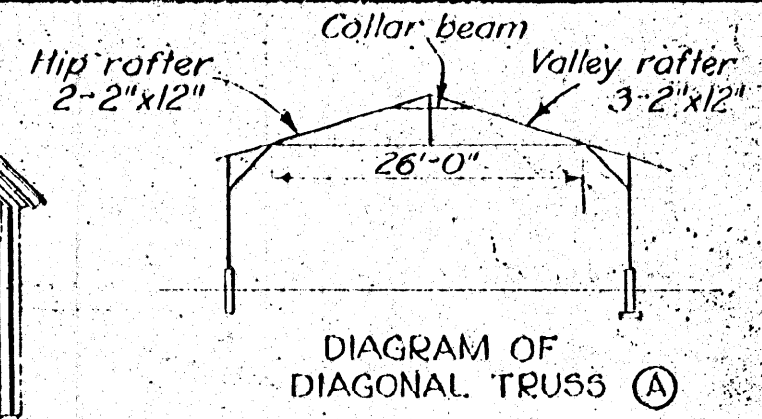
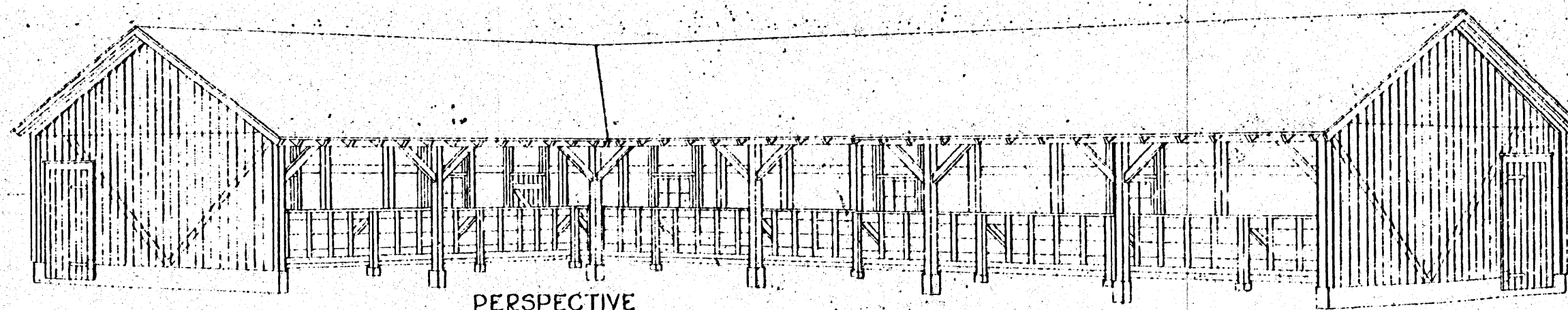


BILL OF MATERIALS:

- CONCRETE** 1:2½:5 Mix
 Cement 135 sacks
 Sand 12.5 cu. yards
 Gravel 25 cu. yards
- LUMBER**
 4" x 4" x 10'-0" 6 ea. posts, feed rack.
 4" x 4" x 8'-0" 29 ea. posts, wall.
 2" x 12" x 20'-0" 5 ea. hip & valley rafters.
 2" x 10" x 12'-0" 9 ea. feed rack.
 2" x 8" x 12'-0" 39 ea. girders, feed rack.
 2" x 6" x 18'-0" 7 ea. ties.
 2" x 6" x 18'-0" 48 ea. rafters.
 2" x 6" x 14'-0" 52 ea. rafters, diagonal truss tie.
 2" x 6" x 12'-0" 59 ea. sills, plates, girts, feed rack, knee braces.
 2" x 6" x 10'-0" 6 ea. knee braces.
 2" x 6" x 8'-0" 39 ea. posts, built up collar beams.
 2" x 4" x 12'-0" 72 ea. girt, feed rack, win framing, ties.
 2" x 4" x 8'-0" 50 ea. feed rack, win end framing.
 1" x 8" x 12'-0" 35 ea. ridge boards, feed rack.
 1" x 8" x 8'-0" 5 ea. knee brace ties.
 1" x 6" x 14'-0" 8 ea. diagonal brace.
 1" x 6" x 12'-0" 9 ea. feed rack.
 1" x 6" T. & G. 1800 board ft. siding.
 1" x 6" Board 3800 board ft. & roof sheathing.
- MILLWORK**
 3'-6" x 7'-0" Door frames with trim - 3 ea.
 2'-8" x 2'-5" 6 Light barn sash with frames and outside casing - 7 each.
- ROOFING** 31 Squares
- METAL WORK**
 3/8" x 1/4" Anchor bolts 32 each
 3/8" x 8" Anchor bolts 28 each
 1/2" x 4 1/2" Lag screws 10 each
 3/8" x 3" Lag screws 24 each
 3/16" x 1/4" x 20" Strap anchors 12 each
 1/4" x 1/2" x 30" Strap anchors 5 each
 12" Tee hinges 3 pair
 5" Gutter 72 linear ft.
 4" Leader 18 linear ft.
 4" 45° Leader elbows 6 each
 16d Common nails 170 lbs.
 8d Common nails 150 lbs.

Paint, 6 gallons



* Note: omit feed racks unless feeding will be done inside

REVISED '52

COOPERATIVE EXTENSION WORK IN AGRICULTURE AND HOME ECONOMICS

STATE OF MISSISSIPPI

MISSISSIPPI STATE UNIVERSITY

UNITED STATES DEPARTMENT OF AGRICULTURE COOPERATING

CATTLE SHED

EX. 6477 SHEET 1 OF 1