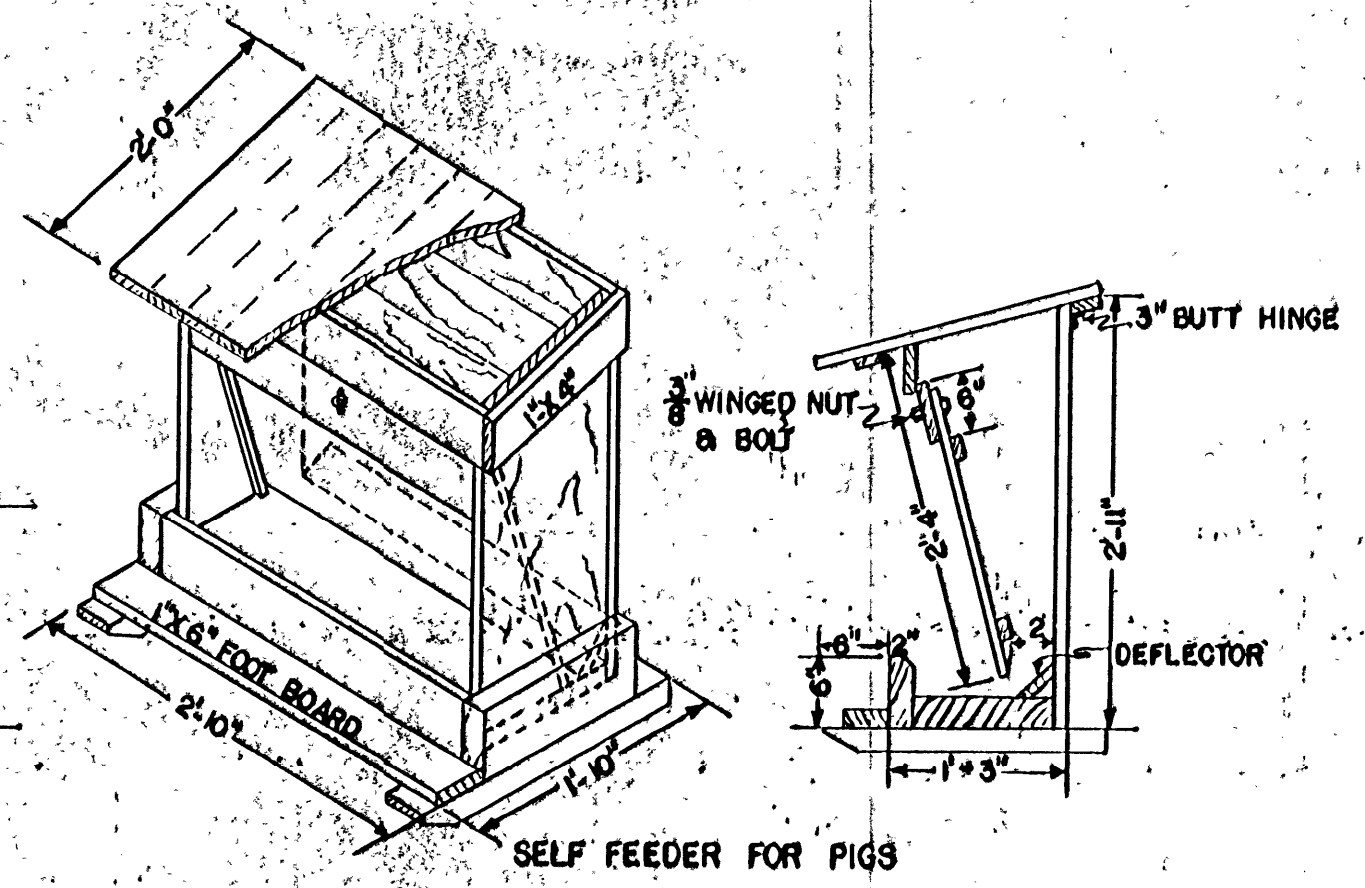
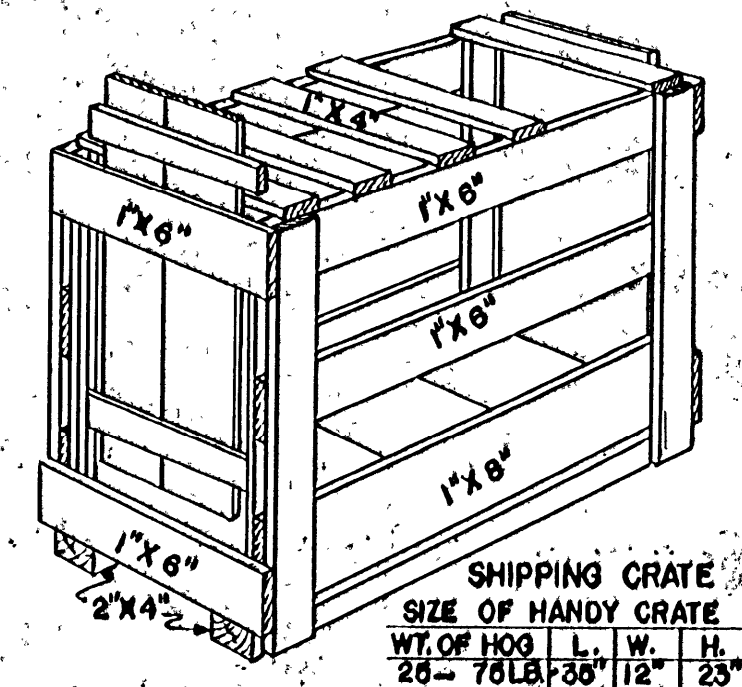


**ISOMETRIC VIEW - SHOWING FRAMING DETAILS**  
SCALE 1/2" = 1'-0"

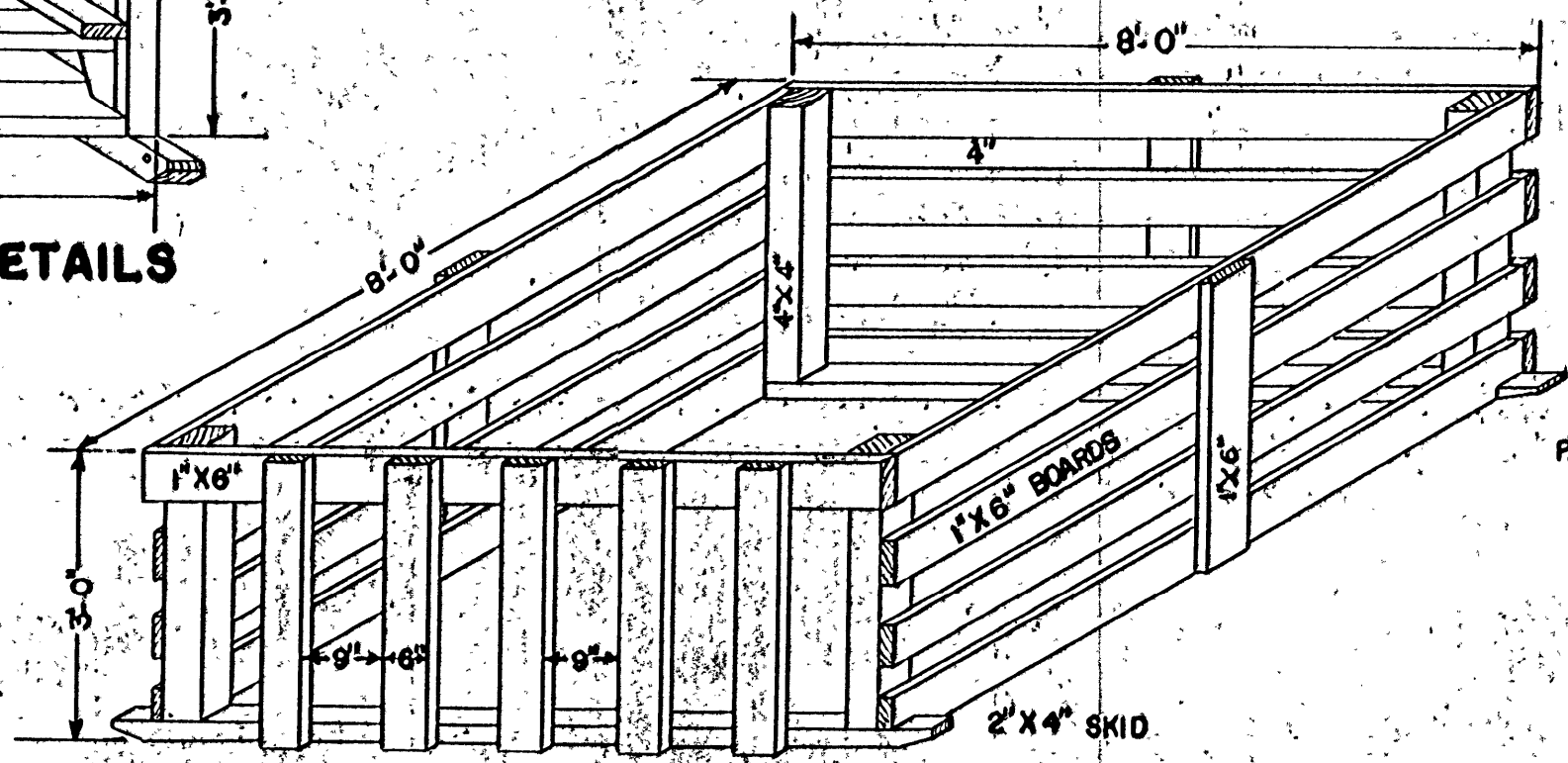


**SELF FEEDER FOR PIGS**

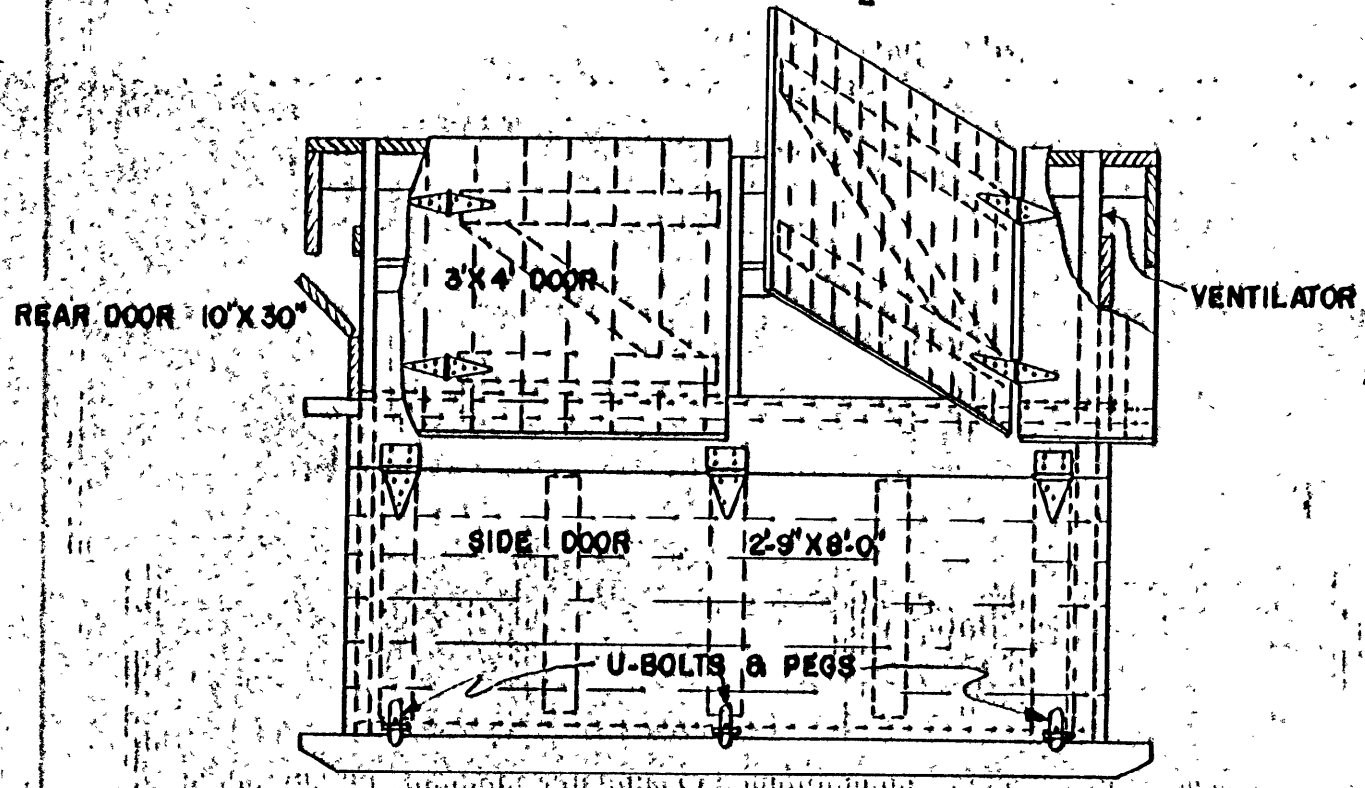
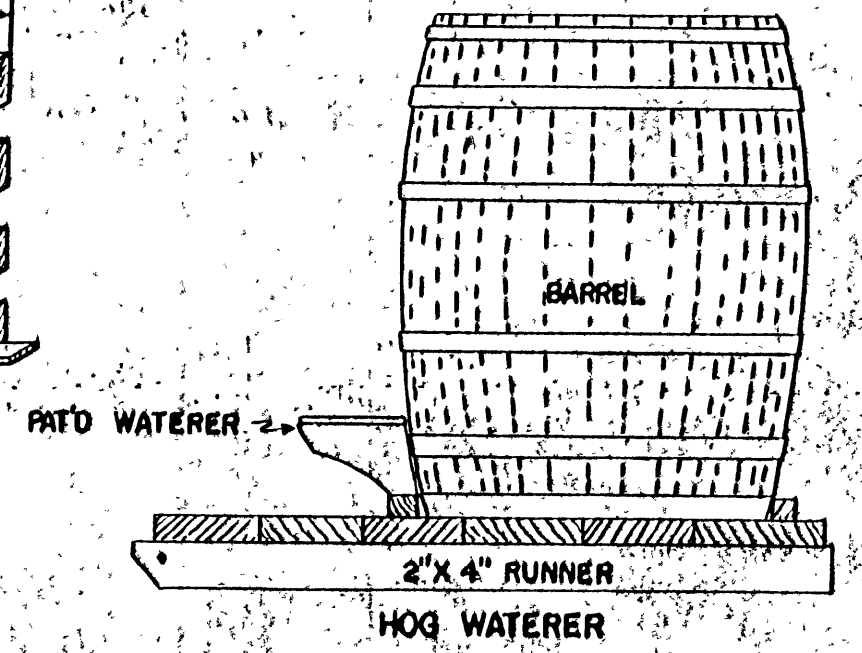


**SHIPPING CRATE**  
SIZE OF HANDY CRATE

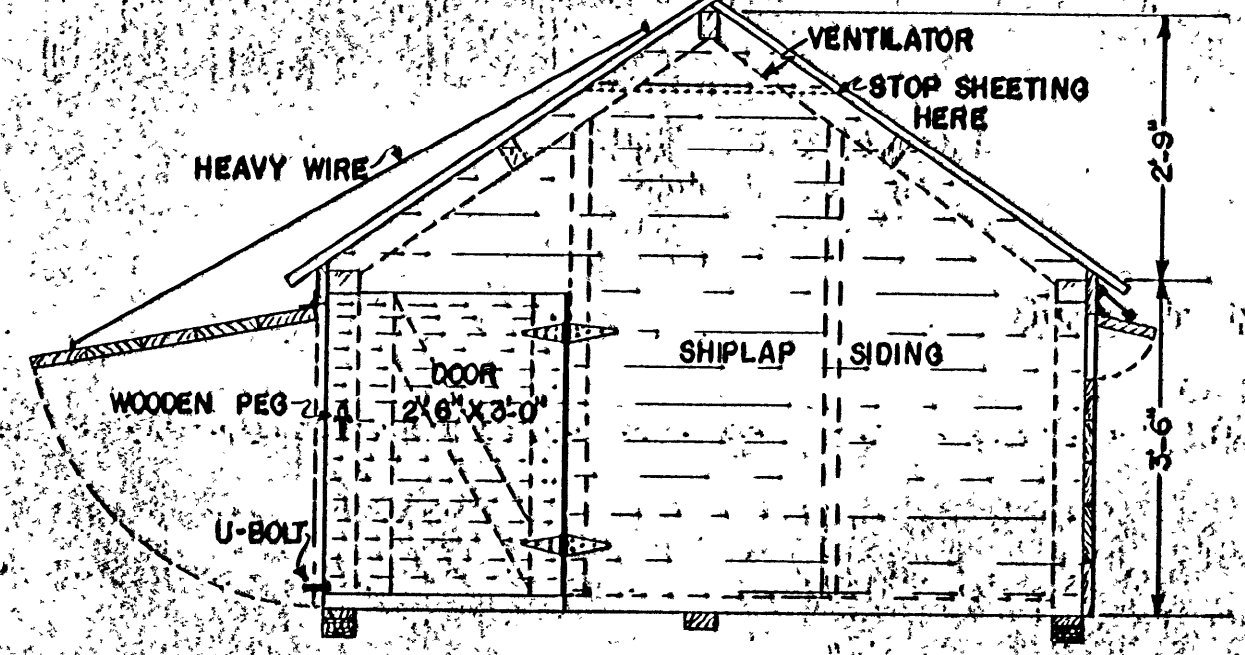
WT. OF HOG	L.	W.	H.
25 - 75 LB.	36"	12"	23"
75 - 150 "	48"	18"	28"
150 - 250 "	64"	20"	34"
250 - 350 "	60"	20"	38"
350 - 600 "	64"	24"	40"



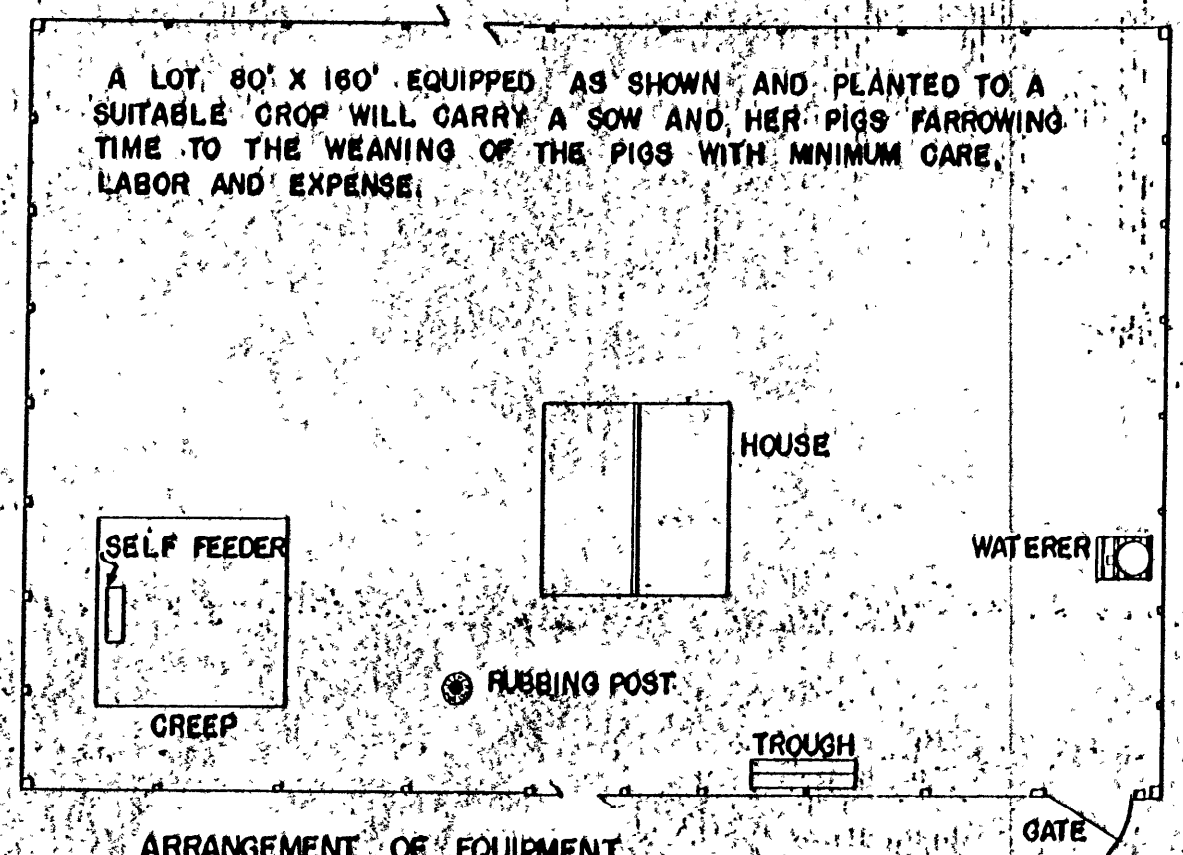
**PIG CREEP**  
SCALE 1/2" = 1'-0"



SCALE 1/2" = 1'-0"

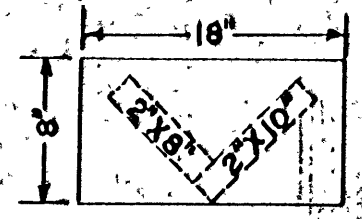


**END ELEVATION**  
SCALE 1/2" = 1'-0"

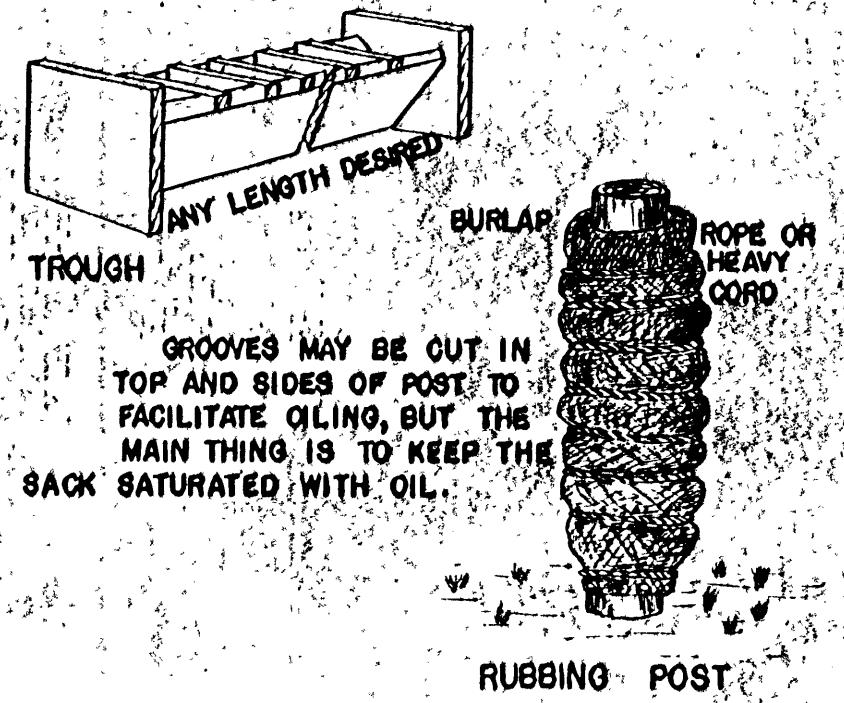


A LOT, 80' X 160' EQUIPPED AS SHOWN AND PLANTED TO A SUITABLE CROP WILL CARRY A SOW AND HER PIGS FARROWING TIME TO THE WEANING OF THE PIGS WITH MINIMUM CARE, LABOR AND EXPENSE.

**ARRANGEMENT OF EQUIPMENT**



**WOODEN TROUGH**



COOPERATIVE EXTENSION WORK IN  
AGRICULTURE AND HOME ECONOMICS  
STATE OF MISSISSIPPI  
MISSISSIPPI STATE UNIVERSITY  
AND  
U.S. DEPT. OF AGRICULTURE COOPERATING

**HOG LOT EQUIPMENT**