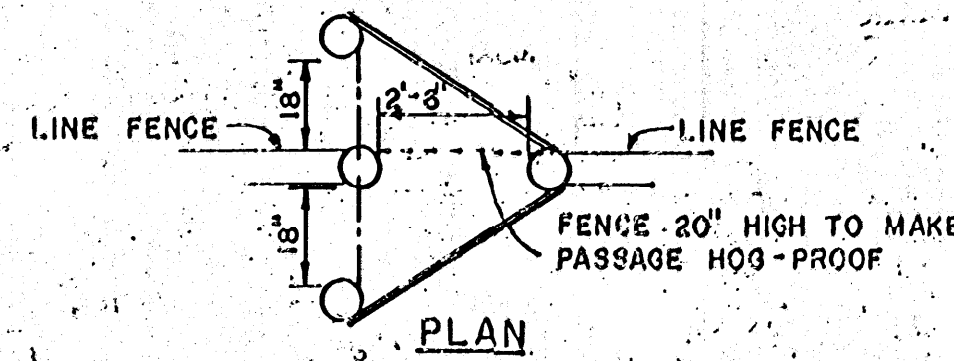
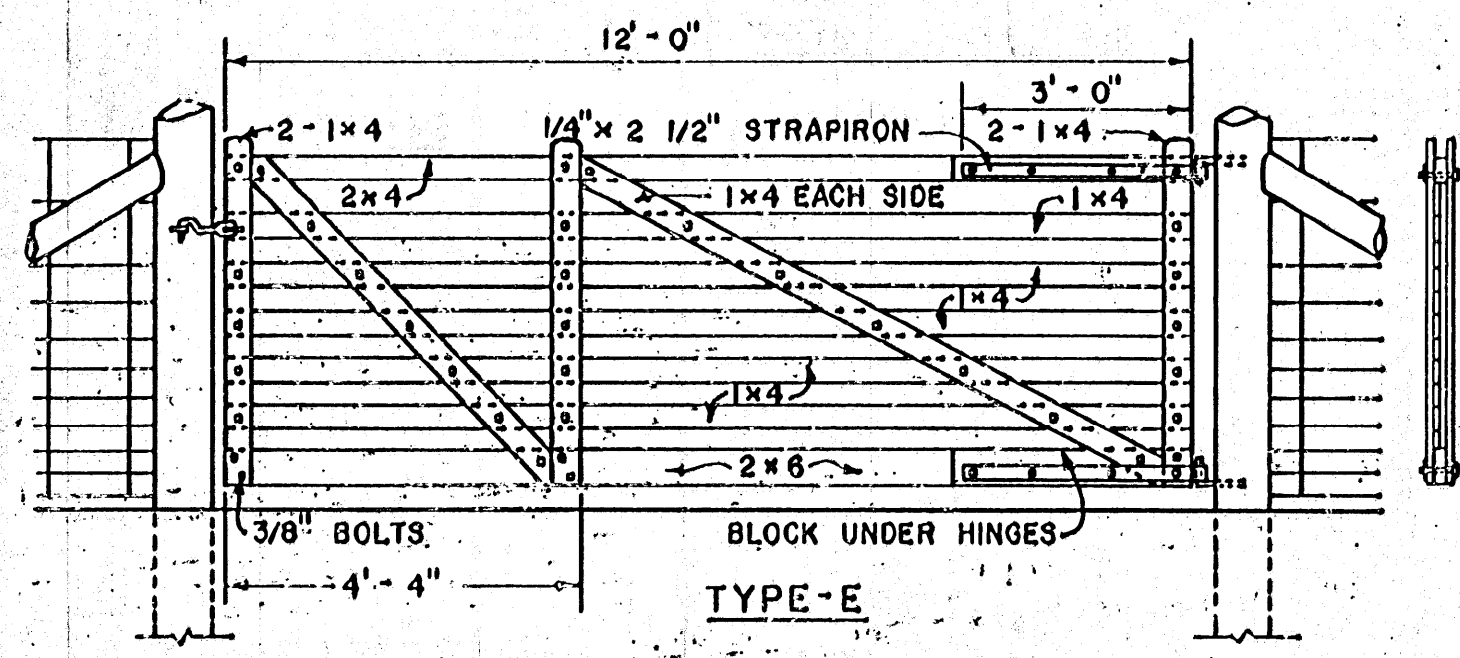
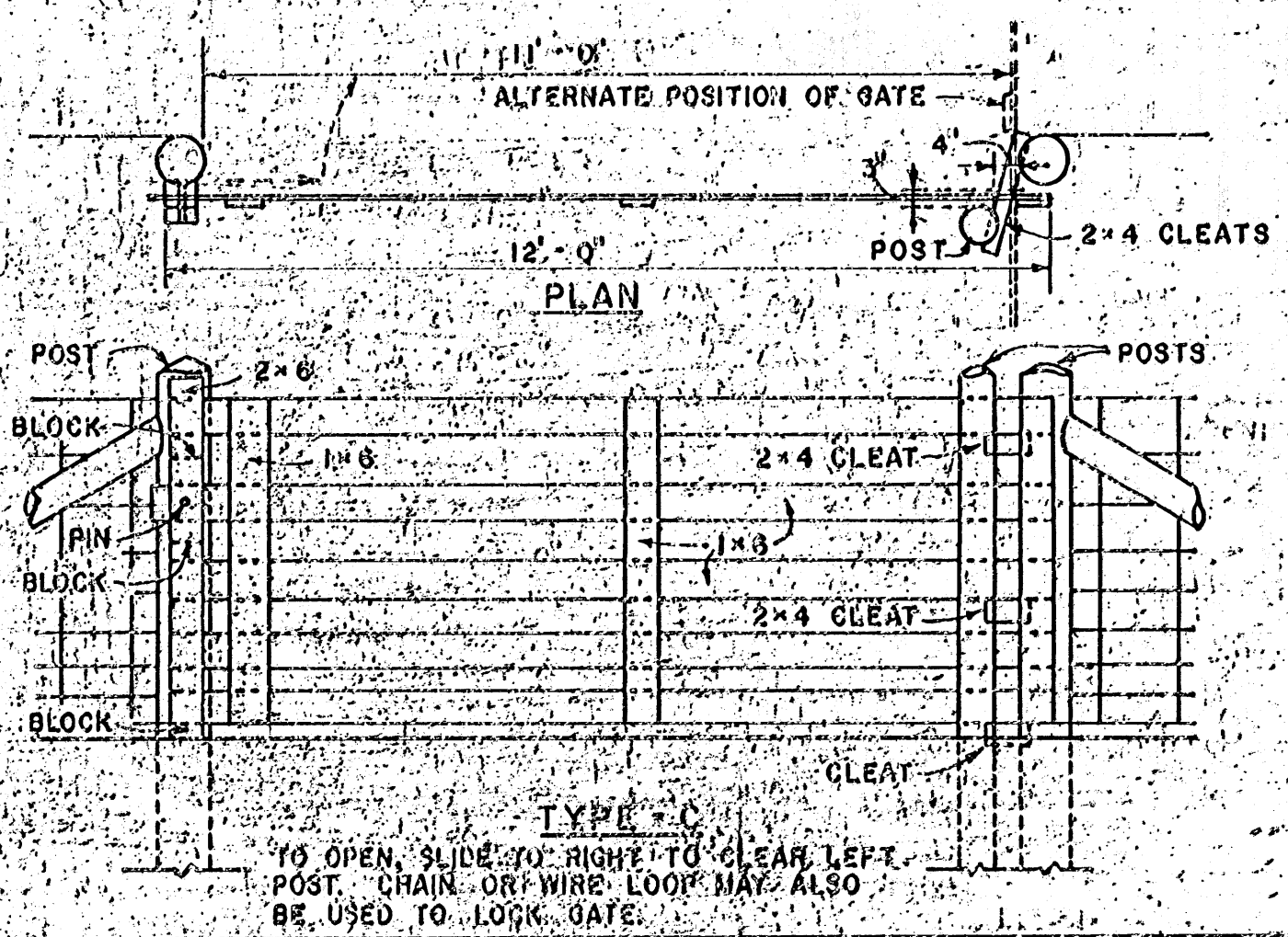
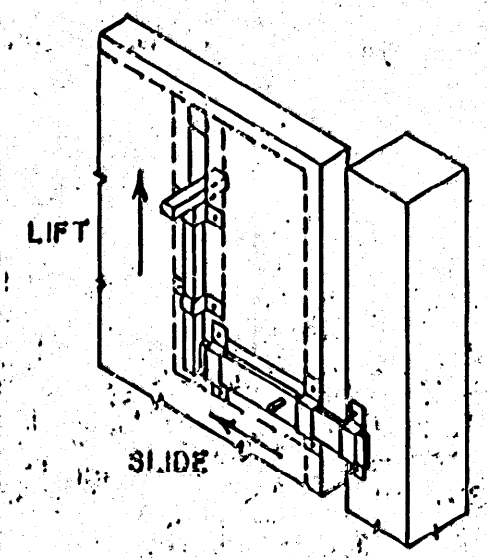
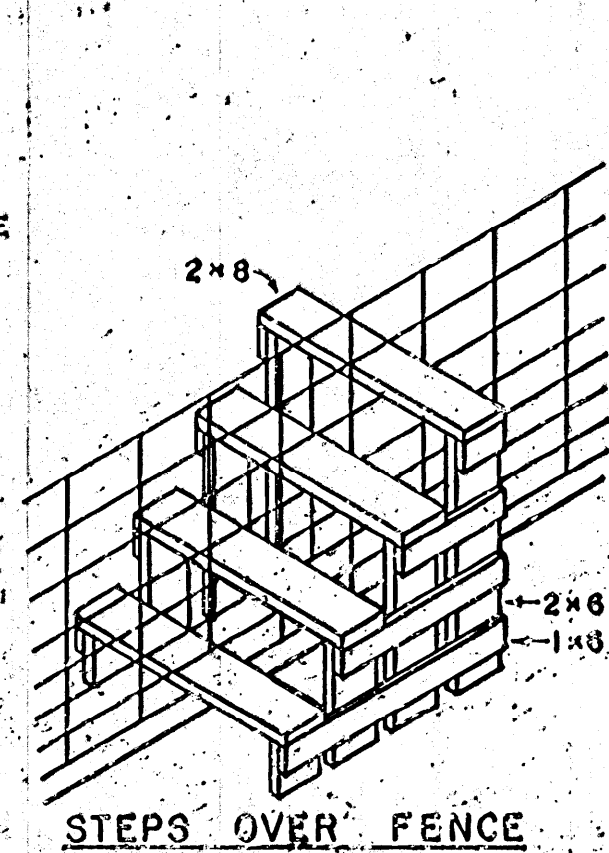
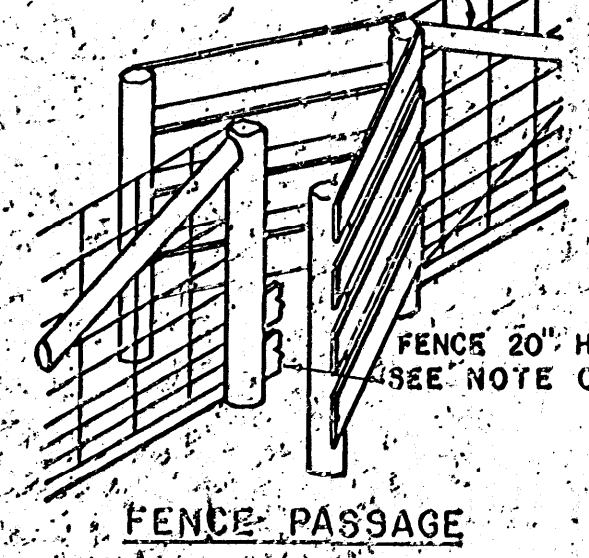


NOTE: FOR EASE OF HANGING GATES, IT IS BETTER TO HAVE BOTH HINGE PINS POINT UPWARD. USE BENT NAIL THROUGH TOP OF PIN IN CASES WHERE THERE IS A POTENTIAL PROBLEM OF UPLIFT BY ANIMALS.



PLACE BRACES BEFORE CUTTING OPENING IN WIRE FENCE.



COOPERATIVE EXTENSION SERVICE
AGRICULTURE AND HOME ECONOMICS

AND
UNITED STATES DEPARTMENT OF AGRICULTURE COOPERATING

WOOD GATES, STILES, AND
FENCE PASSAGES

USDA 39 5505 SHEET 1 OF 1
REV'87 NOT TO SCALE

NOTE: "CLINCHED NAILS" MAY BE USED INSTEAD OF BOLTS TO CONNECT 1x6 BOARDS. (AT LEAST THREE 8d OR 6d NAILS PER BOLT.)